

Interzoll Plus



Detailed product information can be found on www.bopla.de



- 3 widths
- 5 depths
- Interzoll Plus is based on the Interzoll subrack programme - this also applies to the range of Interzoll accessories

Colour:

Light grey, similar to RAL 7035, natural-coloured anodised aluminium, special colours on request

Protection class:

IP 40/DIN EN 60529; with ventilation (ADG...-L)
IP 20/DIN EN 60529

Enclosure material:

Profiles: Al Mg Si 0.5, anodised. Cover plates: steel sheet. Plastic covers: ABS-M/MIA / PVC UL 94 V1; for details see Technical Information

The special feature of this series of enclosures is its use as a desktop enclosure or as a 19" chassis



Interzoll Plus is compatible with the accessory components in the Interzoll product range.



Standardised internal and external dimensions. The standard sizes are 3 U; 42, 63 and 84 HP; 180, 240, 300 and 360 mm depths.



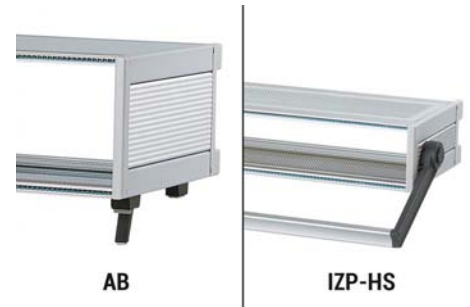
Can be expanded by means of additional profiles for backplane technology (.Pi version), for directly screw-on connectors (.12 version) and with plug-in units.



All profiles for bus or connector technology can be displaced in depth by 10 mm in each case.



Feet are integrated in the enclosure as standard, so rear connections are protected.



Optional tip-up feet or handles allow use as a desktop enclosure.



On request we can supply special dimensions, modifications and complete mounting.



Used together with the design covers, the aluminium profile side parts have a high-quality appearance.

Interzoll Plus | Enclosures

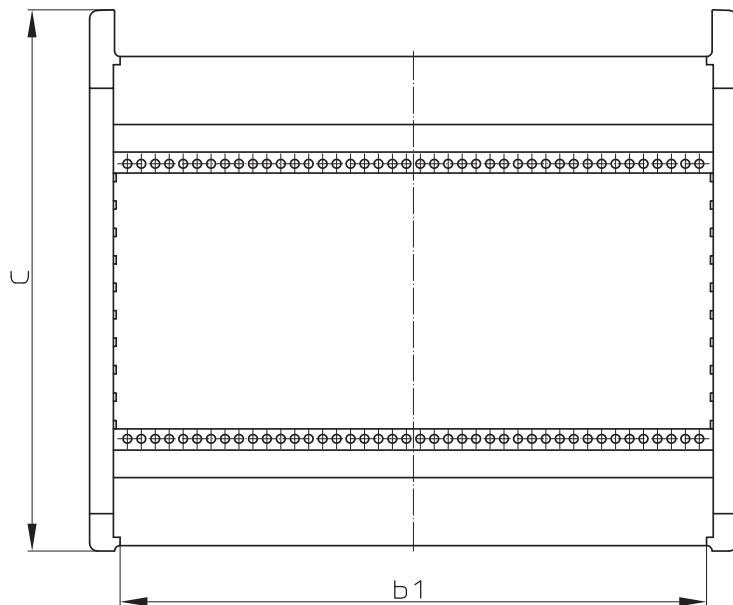
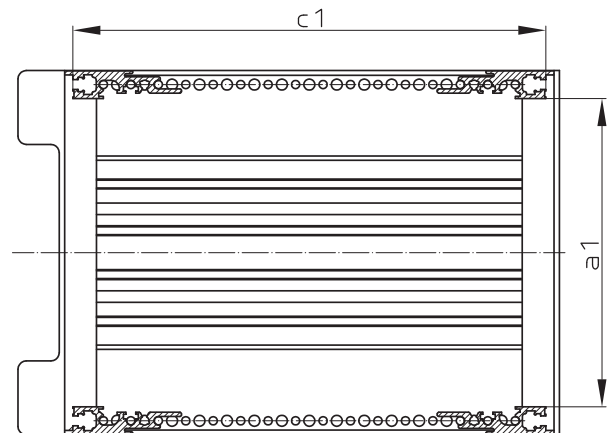
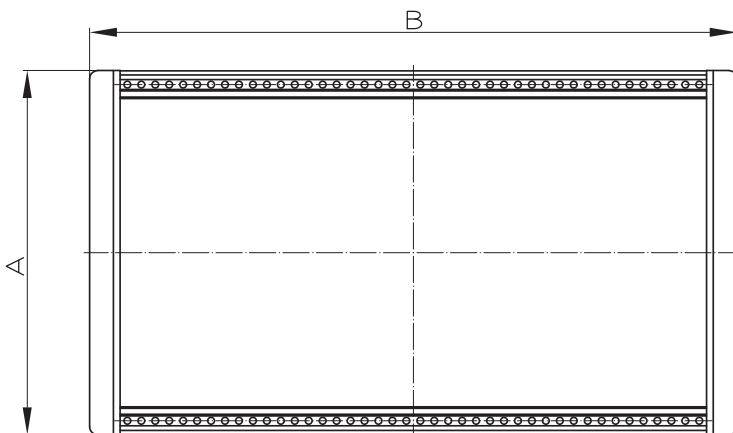


Enclosure profile sets, 3U

Model	Order no.	A	B	C	a1	b1	c1	U	HP
IZP 18340	28183400	132,7	235,84	197,2	112,3	213,36	172,2	3	42
IZP 18360	28183600	132,7	342,52	197,2	112,3	320,04	172,2	3	63
IZP 18380	28183800	132,7	449,2	197,2	112,3	426,72	172,2	3	84
IZP 24340	28243400	132,7	235,84	257,2	112,3	213,36	232,2	3	42
IZP 24360	28243600	132,7	342,52	257,2	112,3	320,04	232,2	3	63
IZP 24380	28243800	132,7	449,2	257,2	112,3	426,72	232,2	3	84
IZP 30340	28303400	132,7	235,84	317,2	112,3	213,36	292,2	3	42
IZP 36360	28303600	132,7	342,52	317,2	112,3	320,04	292,2	3	63
IZP 30380	28303800	132,7	449,2	317,2	112,3	426,72	292,2	3	84
IZP 36340	28363400	132,7	235,84	377,2	112,3	213,36	352,2	3	42
IZP 36360	28363600	132,7	342,52	377,2	112,3	320,04	352,2	3	63
IZP 36380	28363800	132,7	449,2	377,2	112,3	426,72	352,2	3	84

Scope of delivery: 2 side panels, 4 screw covers, 2 covers, 2 covers with foot, 4 front profiles, 4 tapped strips I, 4 rubber feet and mounting material

Note: Installation acc. to DIN IEC 60297-3-101. 2 U versions on request.



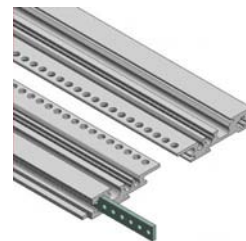
Z-2903304

Interzoll Plus | Accessories

Tapped strips, galvanised steel, M2.5, 7 x 2 mm, for part front panel fixing

Model	Order no.	Note
GS 00042-I	54000421	42 HP
GS 00063-I	54000631	63 HP
GS 00084-I	54000841	84 HP

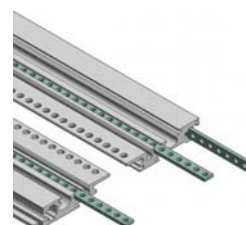
Scope of delivery: 2 tapped strips



Tapped strips, galvanised steel, M2.5, 5 x 1.5 mm, for horizontal profile grooves and rear fixing of backplanes, insulating strips and Z rails

Model	Order no.	Note
GS 00042-II	54000422	42 HP
GS 00063-II	54000632	63 HP
GS 00084-II	54000842	84 HP

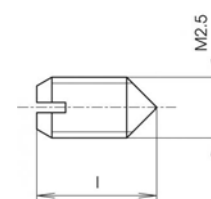
Scope of delivery: 2 tapped strips



Slotted set screw M2.5 x 8 / M2.5 x 5, V2A, for positioning and earthing the tapped strip

Model	Order no.	Note
GSE-5	54700390	Length 5 mm
GSE-8	54700395	Length 8 mm

Scope of delivery: 10 slotted set screws



Insulated plastic, UL 94 V1, for insulated fixing of backplanes

Model	Order no.	Note
IS 00021	54000121	21 HP
IS 00042	54000142	42 HP

Scope of delivery: 2 insulating strips

Note: To achieve the necessary insertion depth when using bus profile rails.



Card guides, one and three parts, plastic, UL 94 V1 green

Model	Order no.	Note
KF 160	54700160	Card depth 160, one piece
KF 220-K	54700225	Card depth 220, three pieces

Scope of delivery: 10 card guides

Note: Snap-in / optionally screwable with GS...II and BFS 0300 (See Interzoll accessories chapter). Three-part card guide in special lengths on request.

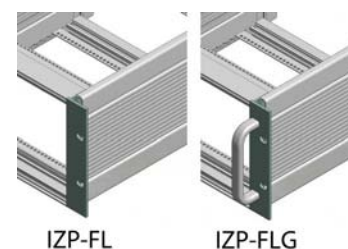


Subrack flange, aluminium, silver-coloured anodised

Model	Order no.	Note
IZP-FL 00300	54530000	for IZP 3U, without handle
IZP-FGL 00300	54531000	for IZP 3U, with handle

Scope of delivery: 2 pieces (IZP-FGL... including 2 fixing screws)

Note: Please order subrack handle GR 00300 (order no. 54600320; scope of delivery: 2 pieces) for IZP-FGL... separately.



Interzoll Plus | Accessories



Cover plate, plain, galvanised sheet steel, visible surface light grey lacquered

Model	Order no.	C	Note
ADG 06042	54960420	63	42 HP
ADG 06063	54960630	63	63 HP
ADG 06084	54960840	63	84 HP
ADG 12084	54912840	123	84 HP
ADG 13063	54913630	133	63 HP
ADG 18042	54918420	183	42 HP
ADG 18063	54918630	183	63 HP
ADG 18084	54918840	183	84 HP
ADG 19063	54919630	193	63 HP
ADG 19084	54919840	193	84 HP
ADG 25063	54925630	253	63 HP
ADG 25084	54925840	253	84 HP
ADG 31042	54931420	313	42 HP
ADG 31084	54931840	313	84 HP

Scope of delivery: 1 cover plate

C = depth in mm

Special sizes on request.

Possible uses for the cover plates:

(Note: Clamp profile set EPS is required for fitting of the split version.)

Enclosure Card guide

	Continuous ADG	Combination ADG split
IZP 183.. -		ADG 060.. with ADG 060..
IZP 183.. KF 160	ADG 130..	
IZP 243.. KF 160		ADG 120.. with ADG 060..
IZP 243.. KF 160 / KF 220-K	ADG 190..	
IZP 303.. KF 160		ADG 120.. with ADG 120..
IZP 303.. KF 220-K		ADG 180.. with ADG 060..
IZP 303.. KF 160 / KF 220-K / KF 280-K	ADG 250..	
IZP 363.. KF 160		ADG 120.. with ADG 180..
IZP 363.. KF 220-K		ADG 180.. with ADG 120..
IZP 363.. KF 280-K		ADG 240.. with ADG 060..
IZP 363.. KF 160 / KF 220-K / KF 280-K / KF 340-K	ADG 310..	



Perforated cover plate, galvanised sheet steel, visible surface light grey lacquered,
hole diameter 2,5 mm

Model	Order no.	C	Note
ADG 06042-L	54960421	63	42 HP
ADG 06063-L	54960631	63	63 HP
ADG 06084-L	54960841	63	84 HP
ADG 12063-L	54912631	123	63 HP
ADG 12084-L	54912841	123	84 HP
ADG 18084-L	54918841	183	84 HP
ADG 25084-L	54925841	253	84 HP
ADG 31042-L	54931421	313	42 HP
ADG 31084-L	54931841	313	84 HP

Scope of delivery: 1 cover plate

C = depth in mm

Special sizes on request.

Possible uses for the cover plates:

(Note: Clamp profile set EPS is required for fitting of the split version.)

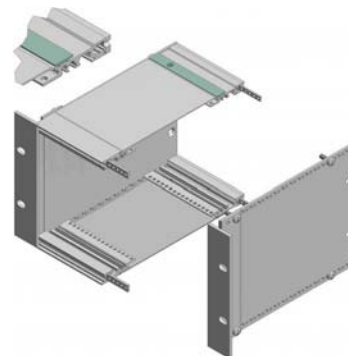
* = Available on request

Interzoll Plus | Accessories

Clamp profile sets, natural-coloured anodised aluminium, for fitting of split cover plates

Model	Order no.	Note
EPS 00042	54002420	42 HP
EPS 00063	54002630	63 HP
EPS 00084	54002840	84 HP

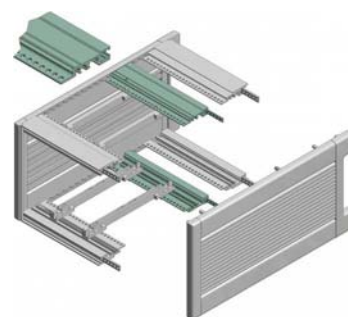
Scope of delivery: 2 profiles including mounting material



Bus profiles, natural-coloured anodised aluminium, for fitting of standard backplanes

Model	Order no.	Note
IZPB 00042	54301042	42 HP
IZPB 00063	54301063	63 HP
IZPB 00084	54301084	84 HP

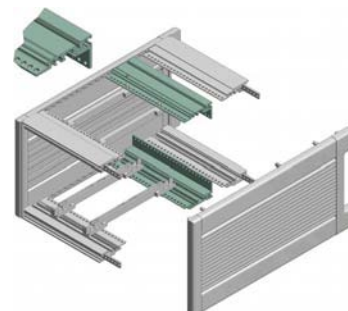
Scope of delivery: 2 profiles including tapped strips and mounting material



Rear profiles, natural-coloured anodised aluminium, with integrated Z-rail for connectors acc. to DIN EN 60603-2 (formerly DIN 41612)

Model	Order no.	Note
IZPR 00042.12	54304210	42 HP
IZPR 00063.12	54306310	63 HP
IZPR 00084.12	54308410	84 HP

Scope of delivery: 2 profiles including mounting material



Handles / tip-up bows, hinged

Model	Order no.	HP	Note
IZP-HS 00040	54542010	42	For IZP ... 40
IZP-HS 00060	54563010	63	For IZP ... 60
IZP-HS 00080	54584010	84	For IZP ... 80

Scope of delivery: Handle side parts (PA6), profile (aluminium), seals, screws

Note: Fixed detent positions of the handle at 30° stages. Mechanical processing of the side panels on request. The maximum load is 300 N.



Tip-up feet, polyamide

Model	Order no.	Note
AB 1230	39603000	Including 4 sheet metal screws

Scope of delivery: Set-up foot set (2 fixed and 2 hinged feet), fixing material

Note: Mechanical processing of the cover plate on request.

