



## RK Stand System

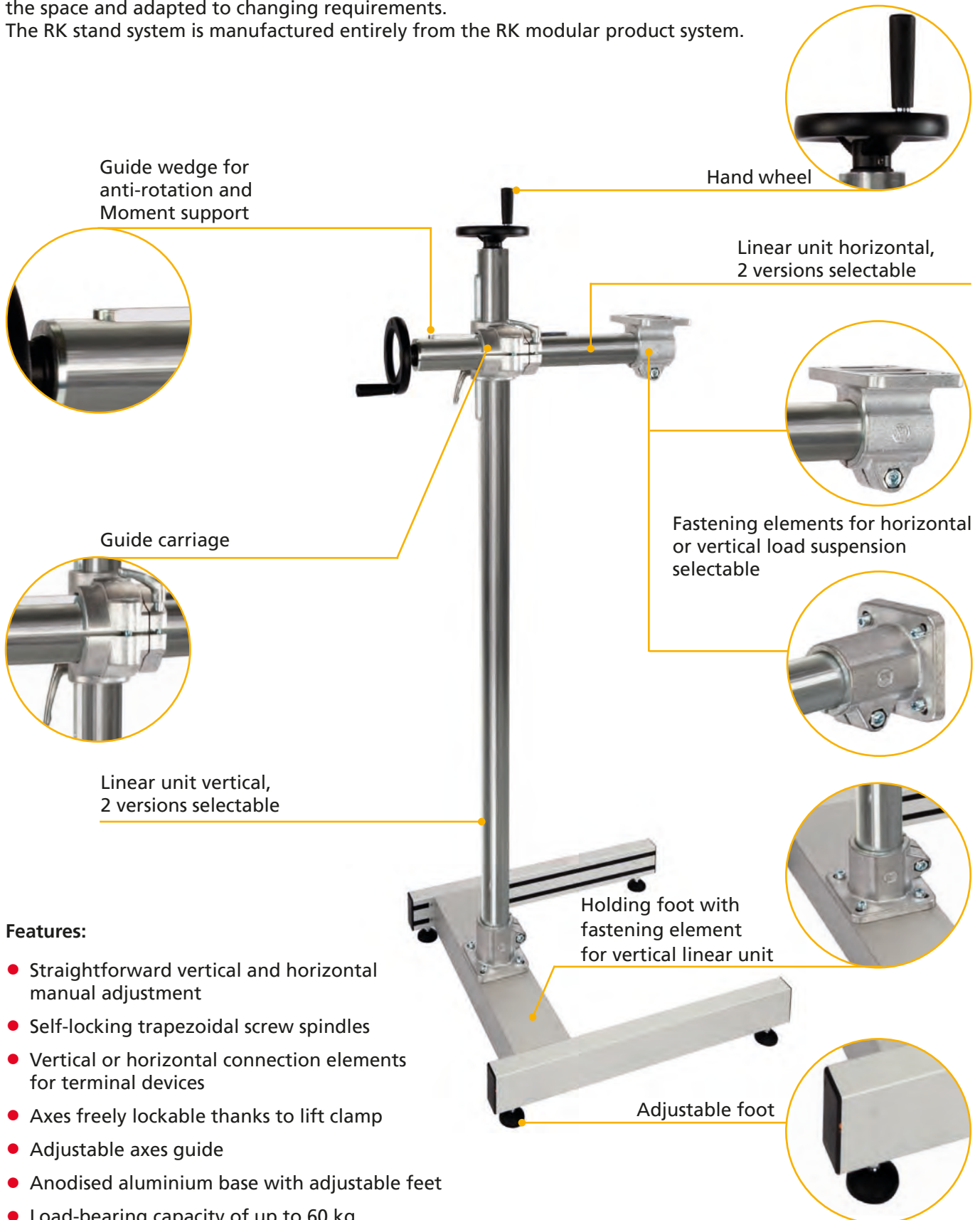
Positioning  
made easy

## RK stand system

# Positioning made easy

Maximum stability and flexible alignment for loads of up to 60 kg – the RK stand system. The new high-grade stand system is ideally suited for holding and positioning industrial marking, display and operating devices, such as labelling machines, optical readers, camera systems or 3D scanners – to name but a few. The respective load can be aligned precisely in the space and adapted to changing requirements.

The RK stand system is manufactured entirely from the RK modular product system.



### Features:

- Straightforward vertical and horizontal manual adjustment
- Self-locking trapezoidal screw spindles
- Vertical or horizontal connection elements for terminal devices
- Axes freely lockable thanks to lift clamp
- Adjustable axes guide
- Anodised aluminium base with adjustable feet
- Load-bearing capacity of up to 60 kg

# Overview individual components



Page	individual components	Product view
P. 4	RK stand H-shaped foot	
P. 5	RK stand linear unit vertical	
P. 6	RK stand linear unit horizontal	
P. 7	Guide carriage EK 60	
P. 8	Fixing element vertical	
P. 8	Fixing element horizontal	

Example: vertical application

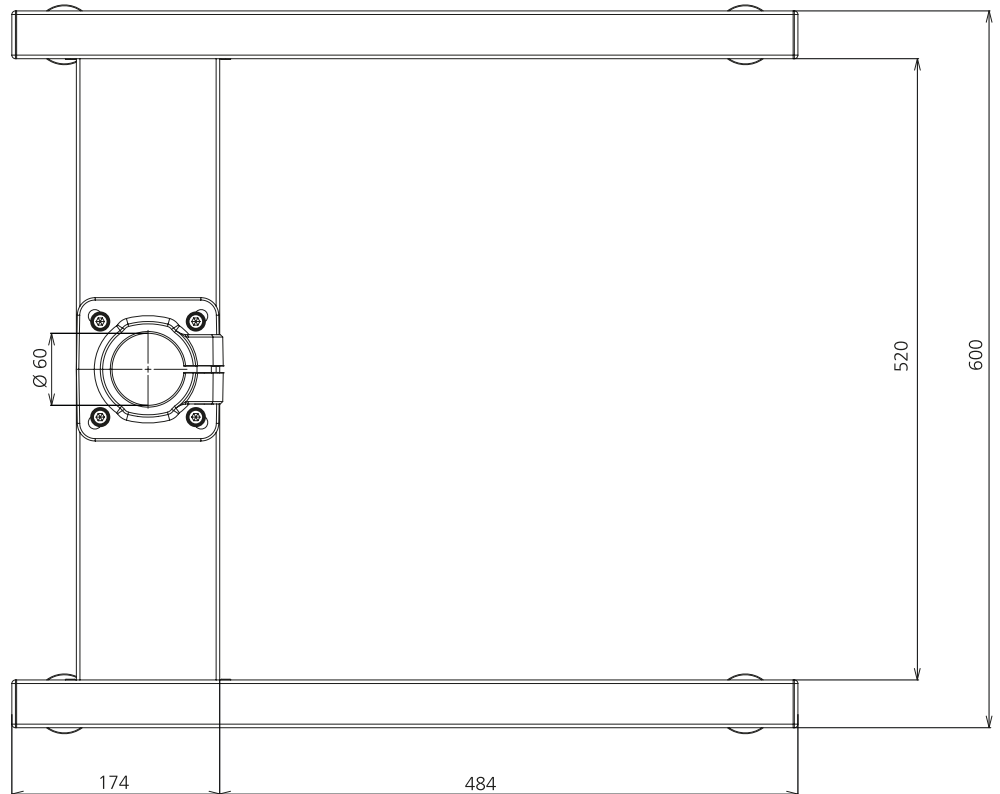
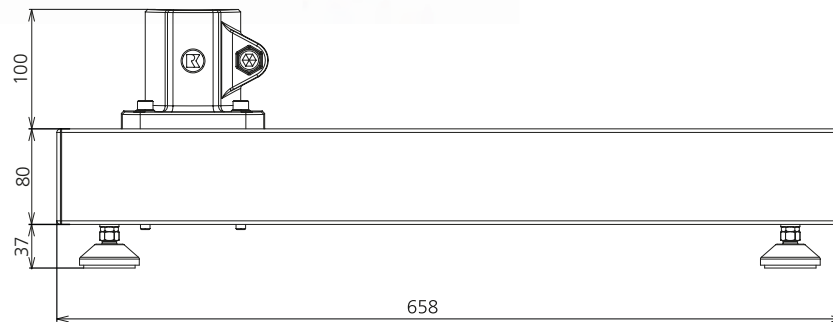


Example: horizontal application



RK stand system

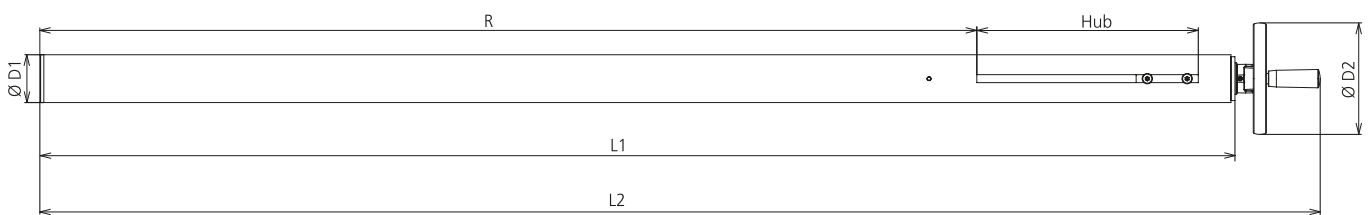
## RK stand H-shaped foot



Code.No	Weight [Kg]
40000692640001	10,48

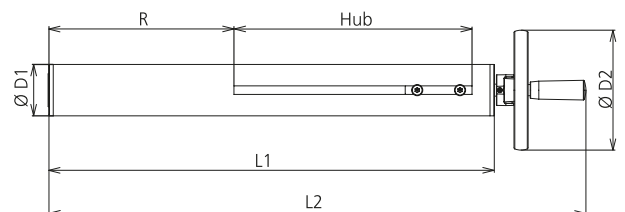
# Linear units

## RK stand linear unit vertical E 60



Code.No	L1	L2	Ø D1	Ø D2	R	Hub	Weight [Kg]
70000692640301	1500	1607	60	140	1176	200	12,64
70000692640201	1010	1117	60	140	686	200	9,32

## RK stand linear unit horizontal E 60



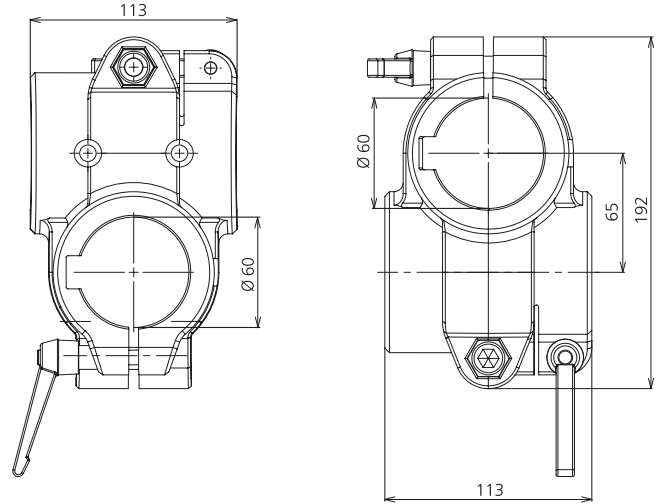
Code.No	L1	L2	Ø D1	Ø D2	R	Hub	Weight [Kg]
70000692640101	520	627	60	140	216	200	6,4
70000692640001	390	497	60	140	86	200	5,18

Other versions on request.

**RK stand system**

# Guide carriage

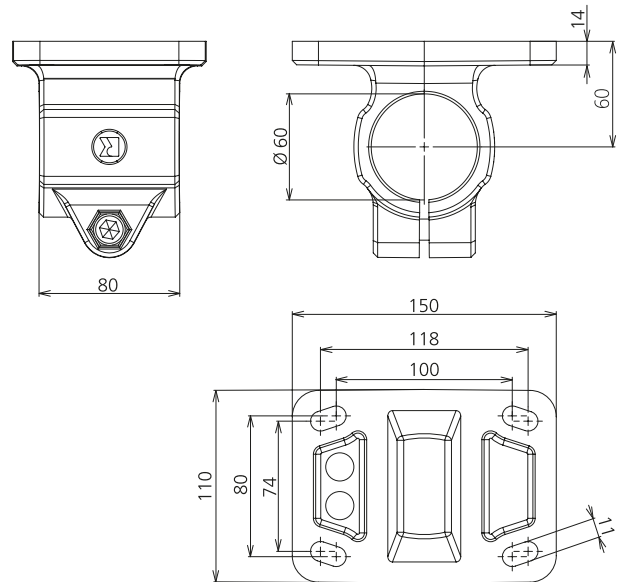
RK stand guide carriage EK 60



Code.No	Weight [Kg]
10000692640001	2,28

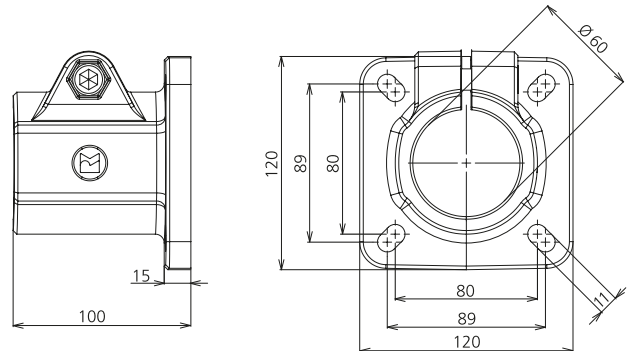
# Fixing element

Flange clamp FK 60



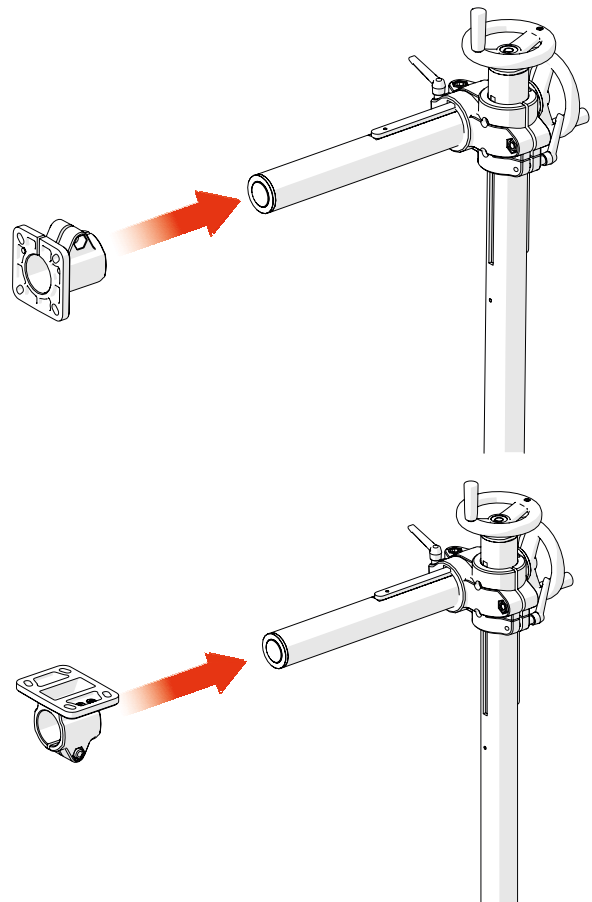
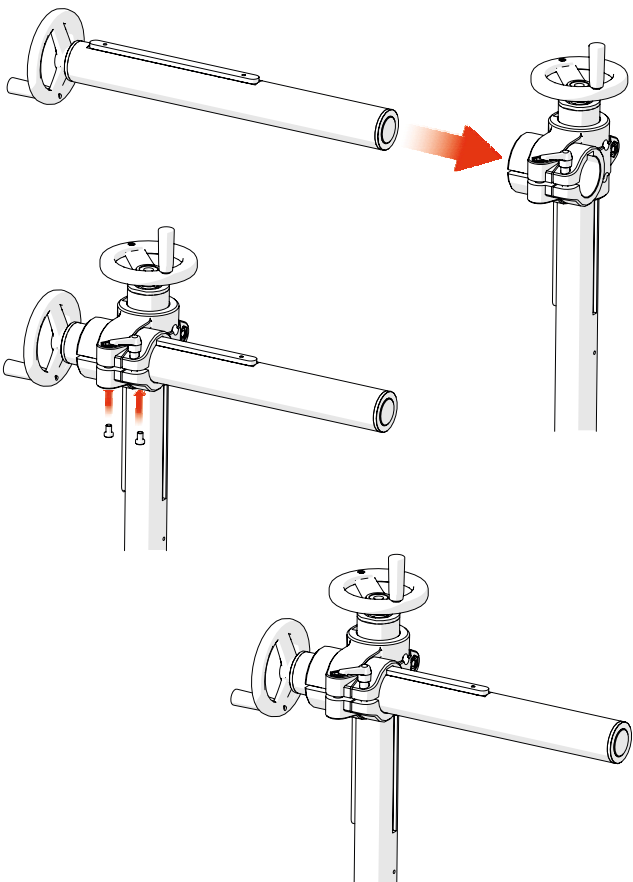
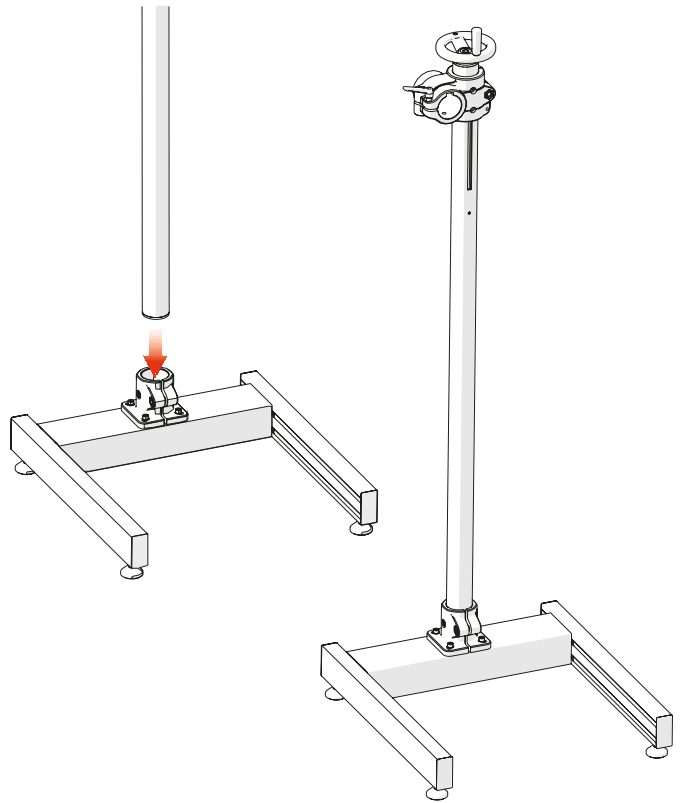
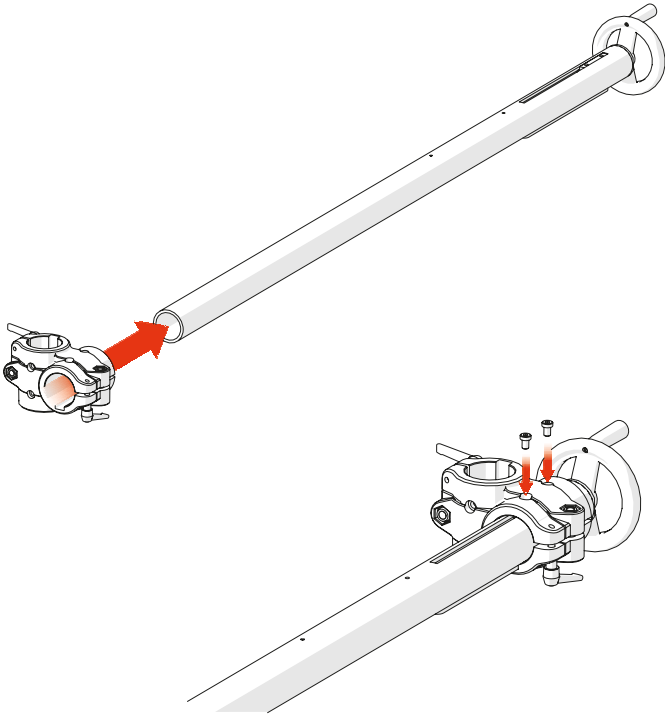
Code.No	Weight [Kg]
12600000020	1,05

# Base clamp FS 60



Code.No	Weight [Kg]
13600000020	0,94

**Mounting example  
to the RK stand system**  
(see page 2)





**RK ROSE+KRIEGER**

A Phoenix Mecano Company

**RK Rose+Krieger GmbH**  
**Connecting and positioning systems**  
Potsdamer Straße 9  
32423 Minden, Germany  
Telephone +49 571 93 35-0  
Telefax +49 571 93 35-119  
info@rk-online.de  
www.rk-rose-krieger.com



Informations  
RK stand system