

# RegloCard-Plus / Combifront / InterCard



Detailed product information can be found on [www.bopla.de](http://www.bopla.de)



- 8 sizes, each in 6 versions
- 3 different fronts
- Metric or PG pre-punchings
- Terminal compartment can be sealed off
- UL 94 V0 material on request
- F-version front element available separately for control panel mounting
- IC 5000 version with optimal insertion grooves for circuit boards

**Colour:**

Light grey, similar to RAL 7035; special colours on request

**Protection class:**

Up to IP 65/DIN EN 60529, depending on the model

**Enclosure material:**

ABS, PC; seal made of EPDM; UL 94 V0 types on request; for details see Technical Information

# Enclosure for a range of uses with separately accessible terminal compartment



RCP 1000: Crystal-clear lid, hinged, with snap lock; IP 65



RCP 100: With clip-on covering frame; IP 40



RCP F: With screw-on front lid for membrane keypads; max. IP 65



All models are available with metric or Pg pre-punchings in the terminal compartment.



The cylinder catch for retrofitting in the snap lock protects against unauthorised access.



A rear suspension unit ensures a concealed fit on the wall.



All models are available on request in UL 94 V0.



CF: Front lid can also be used separately as an installation area. A continuous seal guarantees protection class IP 54 to the installation area.



IC 5000: IP 65, crystal-clear lid, hinge (hinge side freely selectable), snap lock. With a large number of horizontal and vertical plug-in slots.

# RegloCard-Plus | with crystal-clear lid, hinged and with snap lock, IP 65



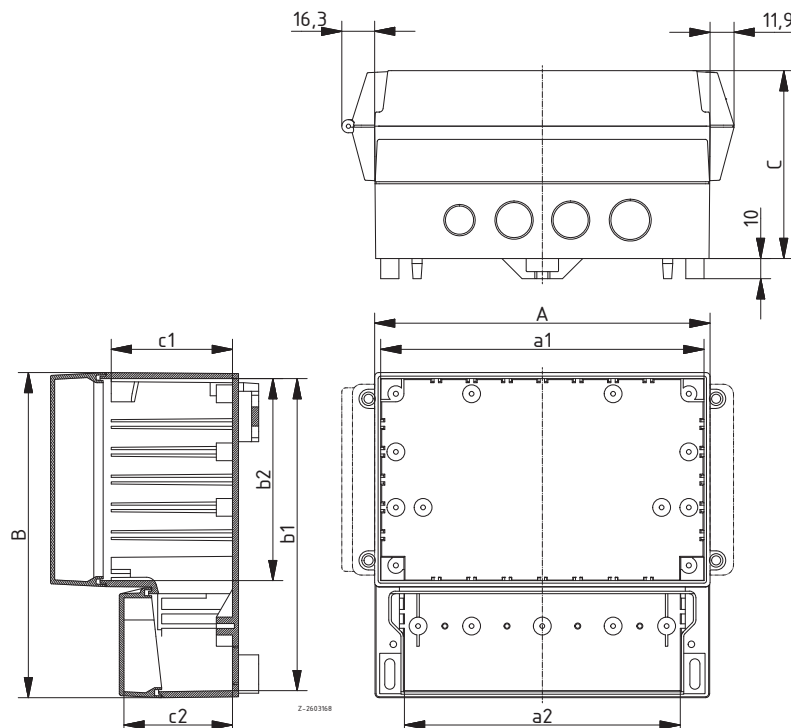
Enclosure with Pg pre-punchings in the terminal compartment

Model	Order no.	A	B	C	a1	a2	b1	b2	c1	c2	Note
RCP 1300	41130109	131	186	103	125/124	101,5	179	125	70	53,5	Pre-punchings: 1 x Pg 9, 1 x Pg 11, 1 x Pg 13,5
RCP 1300 V0	41130400*	131	186	103	125/124	101,5	179	125	70	53,5	Pre-punchings: 1 x Pg 9, 1 x Pg 11, 1 x Pg 13,5
RCP 1600	41160109	166	161	93	160/159	136,5	154	100	60	53,5	Pre-punchings: 1 x Pg 9, 2 x Pg 11, 1 x Pg 13,5
RCP 1600 V0	41160400*	166	161	93	160/159	136,5	154	100	60	53,5	Pre-punchings: 1 x Pg 9, 2 x Pg 11, 1 x Pg 13,5
RCP 1700	41170109	166	161	121	160/159	136,5	154	100	88	53,5	Pre-punchings: 1 x Pg 9, 2 x Pg 11, 1 x Pg 13,5
RCP 1700 V0	41170400*	166	161	121	160/159	136,5	154	100	88	53,5	Pre-punchings: 1 x Pg 9, 2 x Pg 11, 1 x Pg 13,5
RCP 2000	41200309	213	185	104,5	207/206	183,5	178	119	71,5	53,5	Pre-punchings: 1 x Pg 9, 4 x Pg 11, 1 x Pg 13,5
RCP 2000 V0	41200400*	213	185	104,5	207/206	183,5	178	119	71,5	53,5	Pre-punchings: 1 x Pg 9, 4 x Pg 11, 1 x Pg 13,5
RCP 2500	41250109	257	217	132,5	251/250	227,5	210	151	99,5	63,5	Pre-punchings: 1 x Pg 9, 5 x Pg 11, 1 x Pg 13,5
RCP 2500 V0	41250400*	257	217	132,5	251/250	227,5	210	151	99,5	63,5	Pre-punchings: 1 x Pg 9, 5 x Pg 11, 1 x Pg 13,5
RCP 3100	41310109	296	261	132,5	290/289	266,5	254	190	99,5	63,5	Pre-punchings: 1 x Pg 9, 5 x Pg 11, 1 x Pg 13,5
RCP 3100 V0	41310400*	296	261	132,5	290/289	266,5	254	190	99,5	63,5	Pre-punchings: 1 x Pg 9, 5 x Pg 11, 1 x Pg 13,5
RCP 3500	41350109	296	281	158	290/289	266,5	274	190	125	84,5	Pre-punchings: 1 x Pg 9, 6 x Pg 11, 1 x Pg 13,5
RCP 3500 V0	41350400*	296	281	158	290/289	266,5	274	190	125	84,5	Pre-punchings: 1 x Pg 9, 6 x Pg 11, 1 x Pg 13,5
RCP 4000	41400109	363,4	318,6	150	355/354	326,5	309	225	114,5	71	Pre-punchings: 1 x Pg 11, 6 x Pg 13,5, 1 x Pg 16
RCP 4000 V0	41400400*	363,4	318,6	150	355/354	326,5	309	225	114,5	71	Pre-punchings: 1 x Pg 11, 6 x Pg 13,5, 1 x Pg 16

Scope of delivery: Base, crystal-clear lid, hinged, mounted with snap lock, terminal compartment lid, catch, blind plug, screws

Note: CSA certificate for all V0 versions on request.

Enclosures without pre-punchings on request.



\* = Available on request

# RegloCard-Plus | with crystal-clear lid, hinged and with snap lock, IP 65



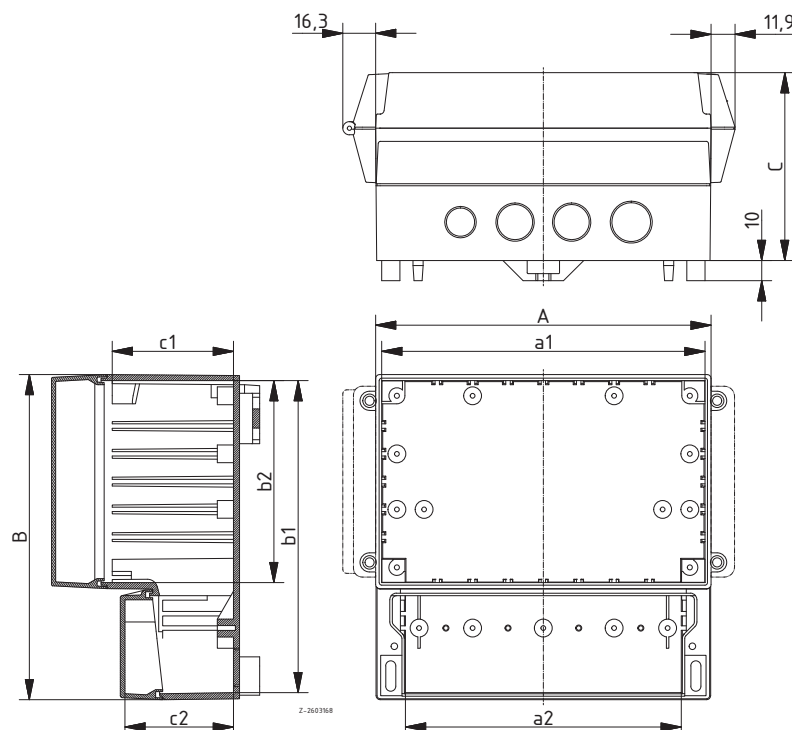
## Enclosure with metric pre-punchings in the terminal compartment

Model	Order no.	A	B	C	a1	a2	b1	b2	c1	c2	Note
RCPM 1300	41131109	131	186	103	125/124	101,5	309	225	70	53,5	Pre-punchings: 1 x M 12, 1 x M 16, 1 x M 20
RCPM 1300 V0	41131400*	131	186	103	125/124	101,5	179	125	70	53,5	Pre-punchings: 1 x M 12, 1 x M 16, 1 x M 20
RCPM 1600	41161109	166	161	93	160/159	136,5	154	100	60	53,5	Pre-punchings: 1 x M 12, 2 x M 16, 1 x M 20
RCPM 1600 V0	41161400*	166	161	93	160/159	136,5	154	100	60	53,5	Pre-punchings: 1 x M 12, 2 x M 16, 1 x M 20
RCPM 1700	41171109	166	161	121	160/159	136,5	154	100	88	53,5	Pre-punchings: 1 x M 12, 2 x M 16, 1 x M 20
RCPM 1700 V0	41171400*	166	161	121	160/159	136,5	154	100	88	53,5	Pre-punchings: 1 x M 12, 2 x M 16, 1 x M 20
RCPM 2000	41201309	213	185	104,5	207/206	183,5	178	119	71,5	53,5	Pre-punchings: 1 x M 12, 4 x M 16, 1 x M 20
RCPM 2000 V0	41201400*	213	185	104,5	207/206	183,5	178	119	71,5	53,5	Pre-punchings: 1 x M 12, 4 x M 16, 1 x M 20
RCPM 2500	41251109	257	217	132,5	251/250	227,5	210	151	99,5	63,5	Pre-punchings: 1 x M 12, 5 x M 16, 1 x M 20
RCPM 2500 V0	41251400*	257	217	132,5	251/250	227,5	210	151	99,5	63,5	Pre-punchings: 1 x M 12, 5 x M 16, 1 x M 20
RCPM 3100	41311109	296	261	132,5	290/289	266,5	254	190	99,5	63,5	Pre-punchings: 1 x M 12, 5 x M 16, 1 x M 20
RCPM 3100 V0	41311400*	296	261	132,5	290/289	266,5	254	190	99,5	63,5	Pre-punchings: 1 x M 12, 5 x M 16, 1 x M 20
RCPM 3500	41351109	296	281	158	290/289	266,5	274	190	125	84,5	Pre-punchings: 1 x M 12, 6 x M 16, 1 x M 20
RCPM 3500 V0	41351400*	296	281	158	290/289	266,5	274	190	125	84,5	Pre-punchings: 1 x M 12, 6 x M 16, 1 x M 20
RCPM 4000	41401109	363,4	318,6	150	355/354	326,5	309	225	114,5	71	Pre-punchings: 1 x M 16, 6 x M 20, 1 x M 25
RCPM 4000 V0	41401400*	363,4	318,6	150	355/354	326,5	309	225	114,5	71	Pre-punchings: 1 x M 16, 6 x M 20, 1 x M 25

Scope of delivery: Base, crystal-clear lid, hinged, mounted with snap lock, terminal compartment lid, catch, blind plug, screws

Note: CSA certificate for all V0 versions on request.

Enclosures without pre-punchings on request.



For accessories, please see the end of the chapter

# RegloCard-Plus | with clip-on covering frame, IP 40

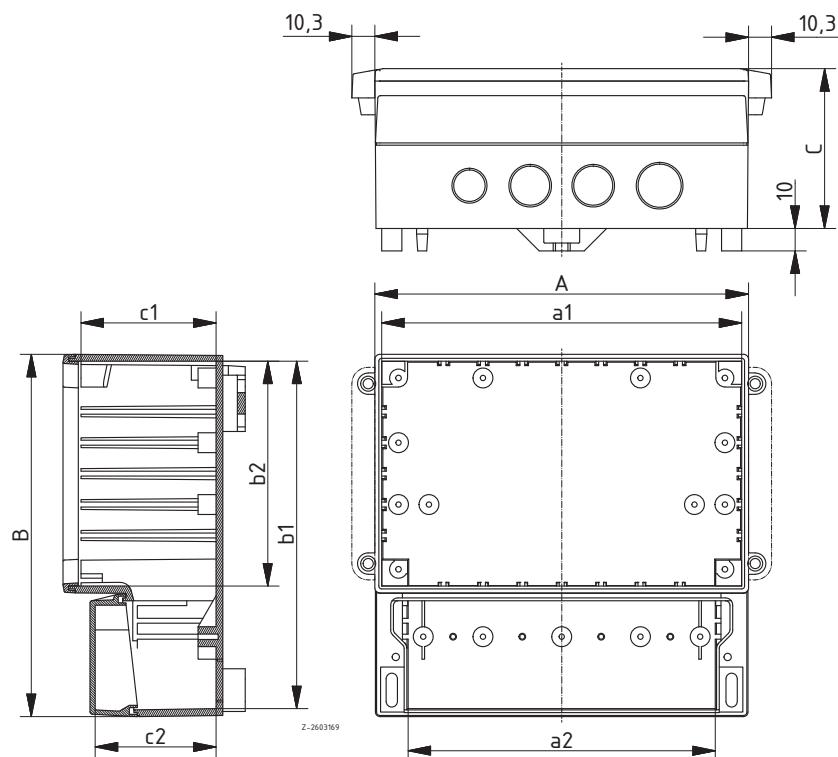


Enclosure with Pg pre-punchings in the terminal compartment

Model	Order no.	A	B	C	a1	a2	b1	b2	c1	c2	Note
RCP 130	41130009	131	186	81	125/124	101,5	179	125	70	53,5	Pre-punchings: 1 x Pg 9, 1 x Pg 11, 1 x Pg 13,5
RCP 160	41160009	166	161	71	160/159	136,5	154	100	60	53,5	Pre-punchings: 1 x Pg 9, 2 x Pg 11, 1 x Pg 13,5
RCP 170	41170009	166	161	99	160/159	136,5	154	100	88	53,5	Pre-punchings: 1 x Pg 9, 2 x Pg 11, 1 x Pg 13,5
RCP 200	41200009	213	185	82,5	207/206	183,5	178	119	71,5	53,5	Pre-punchings: 1 x Pg 9, 4 x Pg 11, 1 x Pg 13,5
RCP 250	41250009	257	217	110,5	251/250	227,5	210	151	99,5	63,5	Pre-punchings: 1 x Pg 9, 5 x Pg 11, 1 x Pg 13,5
RCP 310	41310009	296	261	110,5	290/289	266,5	254	190	99,5	63,5	Pre-punchings: 1 x Pg 9, 5 x Pg 11, 1 x Pg 13,5
RCP 350	41350009	296	281	136	290/289	266,5	274	190	125	84,5	Pre-punchings: 1 x Pg 9, 6 x Pg 11, 1 x Pg 13,5
RCP 400	41400009	363,4	318,6	128,5	355/354	326,5	309	225	114,5	71	Pre-punchings: 1 x Pg 11, 6 x Pg 13,5, 1 x Pg 16

Scope of delivery: Base, covering frame, terminal compartment lid, screws

Note: Enclosures in UL 94 V0 and/or without pre-punchings on request.



\* = Available on request

# RegloCard-Plus | with clip-on covering frame, IP 40

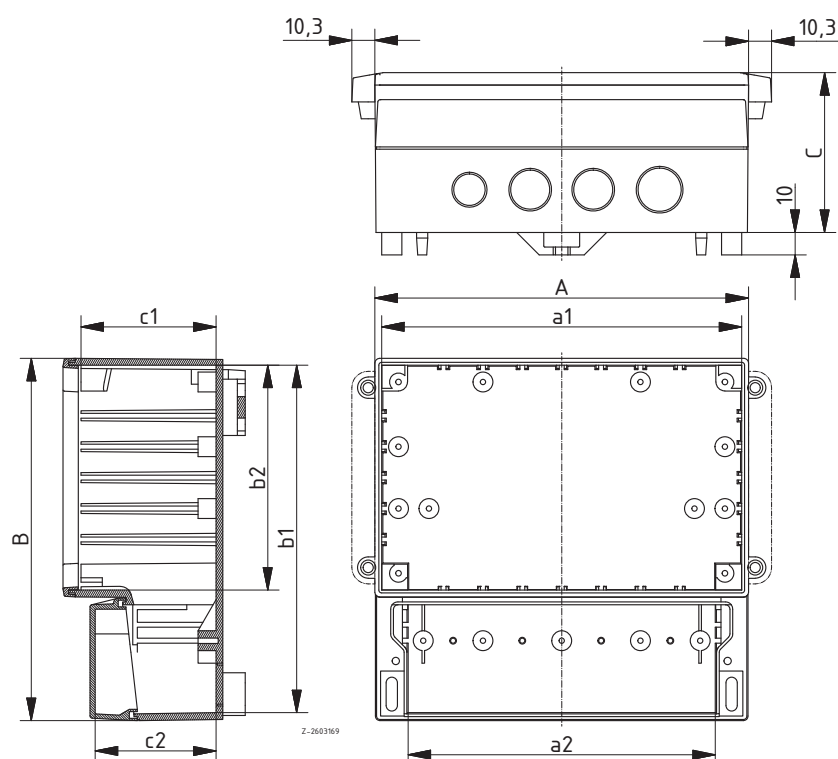


## Enclosure with metric pre-punchings in the terminal compartment

Model	Order no.	A	B	C	a1	a2	b1	b2	c1	c2	Note
RCPM 130	41131009	131	186	81	125/124	101,5	179	125	70	53,5	Pre-punchings: 1 x M 12, 1 x M 16, 1 x M 20
RCPM 160	41161009	166	161	71	160/159	136,5	154	100	60	53,5	Pre-punchings: 1 x M 12, 2 x M 16, 1 x M 20
RCPM 170	41171009	166	161	99	160/159	136,5	154	100	88	53,5	Pre-punchings: 1 x M 12, 2 x M 16, 1 x M 20
RCPM 200	41201009	213	185	82,5	207/206	183,5	178	119	71,5	53,5	Pre-punchings: 1 x M 12, 4 x M 16, 1 x M 20
RCPM 250	41251009	257	217	110,5	251/250	227,5	210	151	99,5	63,5	Pre-punchings: 1 x M 12, 5 x M 16, 1 x M 20
RCPM 310	41311009	296	261	110,5	290/289	266,5	254	190	99,5	63,5	Pre-punchings: 1 x M 12, 5 x M 16, 1 x M 20
RCPM 350	41351009	296	281	136	290/289	266,5	274	190	125	84,5	Pre-punchings: 1 x M 12, 6 x M 16, 1 x M 20
RCPM 400	41401009	363,4	318,6	128,5	355/354	326,5	309	225	114,5	71	Pre-punchings: 1 x M 16, 6 x M 20, 1 x M 25

Scope of delivery: Base, covering frame, terminal compartment lid, screws

Note: Enclosures in UL 94 V0 and/or without pre-punchings on request.



For accessories, please see the end of the chapter

# RegloCard-Plus | with screw-on front lid for membrane keypads, max. IP 65

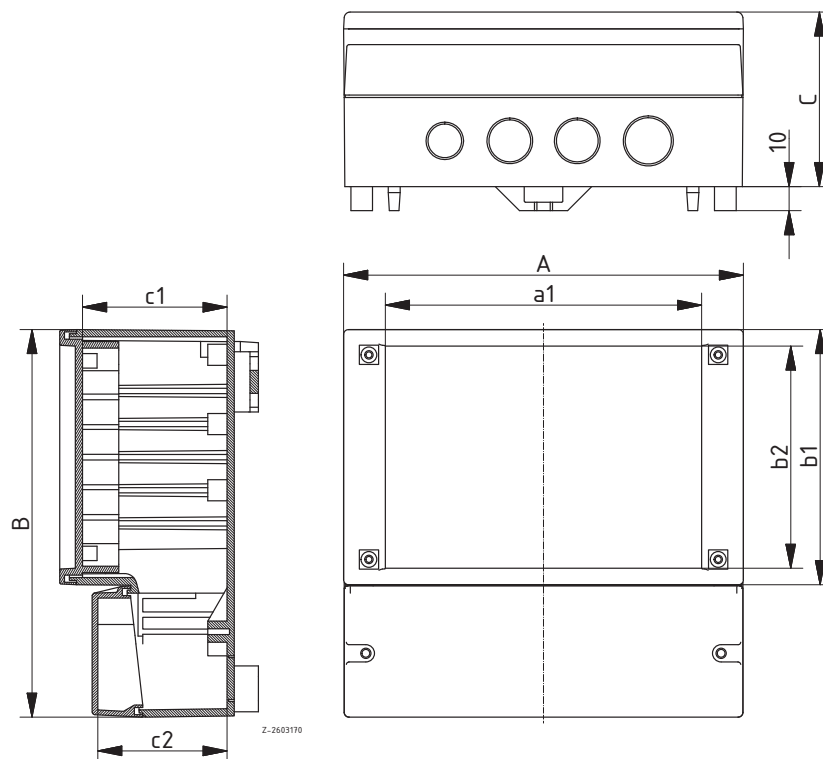


Enclosure with Pg pre-punchings in the terminal compartment

Model	Order no.	A	B	C	a1	b1	b2	c1	c2	Note
RCP 130 F	41130609	131	186	82,5	96,3	131	117,3	70	53,5	Pre-punchings: 1 x Pg 9, 1 x Pg 11, 1 x Pg 13,5
RCP 160 F	41160609	166	161	72,5	131,3	106	92,3	60	53,5	Pre-punchings: 1 x Pg 9, 2 x Pg 11, 1 x Pg 13,5
RCP 170 F	41170609	166	161	100,5	131,3	106	92,3	88	53,5	Pre-punchings: 1 x Pg 9, 2 x Pg 11, 1 x Pg 13,5
RCP 200 F	41200609	213	185	84	179,3	125	111,3	71,5	53,5	Pre-punchings: 1 x Pg 9, 4 x Pg 11, 1 x Pg 13,5
RCP 250 F	41250609	257	217	112	222,3	157	143,3	99,5	63,5	Pre-punchings: 1 x Pg 9, 5 x Pg 11, 1 x Pg 13,5
RCP 310 F	41310609	296	261	112	261,3	196	182,3	99,5	63,5	Pre-punchings: 1 x Pg 9, 5 x Pg 11, 1 x Pg 13,5
RCP 350 F	41350609	296	281	137,5	261,3	196	182,3	125	84,5	Pre-punchings: 1 x Pg 9, 6 x Pg 11, 1 x Pg 13,5
RCP 400 F	41400609	363,4	318,6	130,5	322	233,6	217	114,5	71	Pre-punchings: 1 x Pg 11, 6 x Pg 13,5, 1 x Pg 16

Scope of delivery: Base, recessed front lid, terminal compartment lid, screw covers, screws

Note: Designs RCP 130 F to 250 F: IP 65; RCP 310 F to 400 F: IP 54. Enclosures in UL 94 V0 and/or without pre-punchings on request.



\* = Available on request

# RegloCard-Plus | with screw-on front lid for membrane keypads, max. IP 65

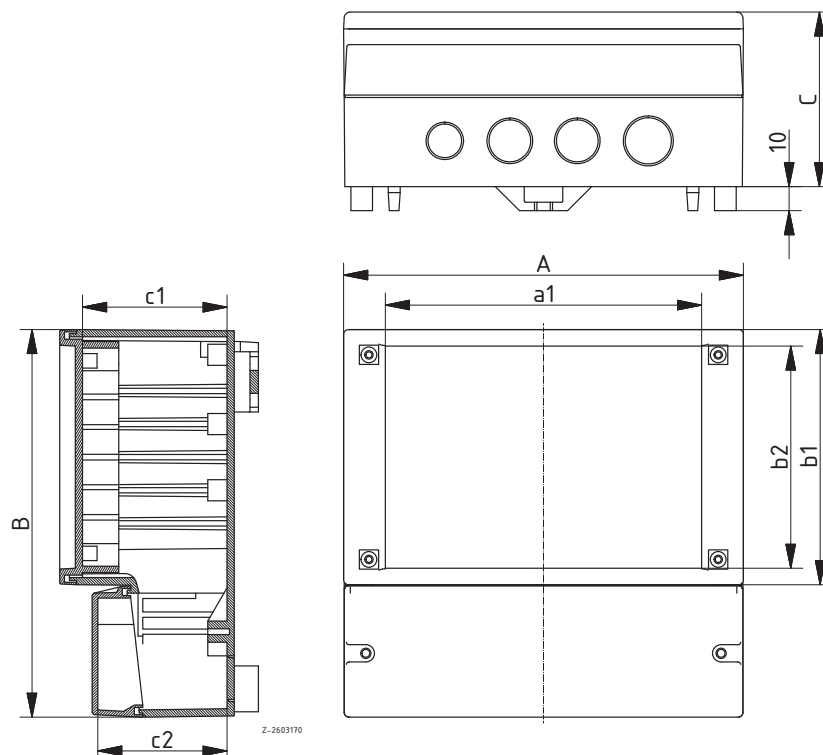


## Enclosure with metric pre-punchings in the terminal compartment

Model	Order no.	A	B	C	a1	b1	b2	c1	c2	Note
RCPM 130 F	41131609	131	186	82,5	96,3	131	117,3	70	53,5	Pre-punchings: 1 x M 12, 1 x M 16, 1 x M 20
RCPM 160 F	41161609	166	161	72,5	131,3	106	92,3	60	53,5	Pre-punchings: 1 x M 12, 2 x M 16, 1 x M 20
RCPM 170 F	41171609	166	161	100,5	131,3	106	92,3	88	53,5	Pre-punchings: 1 x M 12, 2 x M 16, 1 x M 20
RCPM 200 F	41201609	213	185	84	179,3	125	111,3	71,5	53,5	Pre-punchings: 1 x M 12, 4 x M 16, 1 x M 20
RCPM 250 F	41251609	257	217	112	222,3	157	143,3	99,5	63,5	Pre-punchings: 1 x M 12, 5 x M 16, 1 x M 20
RCPM 310 F	41311609	296	261	112	261,3	196	182,3	99,5	63,5	Pre-punchings: 1 x M 12, 5 x M 16, 1 x M 20
RCPM 350 F	41351609	296	281	137,5	261,3	196	182,3	125	84,5	Pre-punchings: 1 x M 12, 6 x M 16, 1 x M 20
RCPM 400 F	41401609	363,4	318,6	130,5	322	233,6	217	114,5	71	Pre-punchings: 1 x M 16, 6 x M 20, 1 x M 25

Scope of delivery: Base, recessed front lid, terminal compartment lid, screw covers, screws

Note: Designs RCPM 130 F to 250 F: IP 65; RCPM 310 F to 400 F: IP 54. Enclosures in UL 94 V0 and/or without pre-punchings on request.



For accessories, please see the end of the chapter



## RegloCard-Plus | Accessories

### Cylinder lock / hand knob for retro-fitting in the snap-lock mechanism



Model	Order no.	Note
SHLO-302	21008310	Cylinder lock
RCP/RCPM - HK	41002501	Hand knob

Scope of delivery: 1 lock and 2 keys or 1 hand knob

Note: The cylinder lock or hand knob can be retrofitted into the snap-lock opening. If a blind plug or catch has been fitted, it can be released and pushed out from the rear.

### Wall brackets, screw-on at rear



Model	Order no.
RCP/RCPM - WL	41000309

Scope of delivery: 2 pieces

Note: For 4-point wall fixing without opening the enclosure. Fitting to rear of enclosure from the outside. Suitable for all enclosures in this series.

### Mounting panels, laminated paper



Model	Order no.	Colour	Note
RCP/RCPM 130 M	41000350	Brown	For RCP(M) 130(0)
RCP/RCPM 160/170 M	41000400	Brown	For RCP(M) 160(0) / 170(0)
RCP/RCPM 200 M	41000500	Brown	For RCP(M) 200(0)
RCP/RCPM 250 M	41000600	Brown	For RCP(M) 250(0)
RCP/RCPM 310 M/350 M	41000700	Brown	For RCP(M) 310(0) / 350(0)
RCP/RCPM 400 M	41000800	Brown	For RCP(M) 400(0)

Scope of delivery: 1 mounting panel

### Front panels, natural-coloured anodised aluminium



Model	Order no.	Note
FAE 130	27000100	For RCP(M) 130(0), 1 mm
FAE 160/170	27000300	For RCP(M) 160(0) / 170(0), 1 mm
FAE 200	27000500	For RCP(M) 200(0), 1 mm
FAE 250	27000700	For RCP(M) 250(0), 1 mm
FAE 310/350	27000900	For RCP(M) 310(0) / 350(0), 1 mm
FAE 400	27120000	For RCP(M) 400(0), 1,5 mm

Scope of delivery: 1 front panel

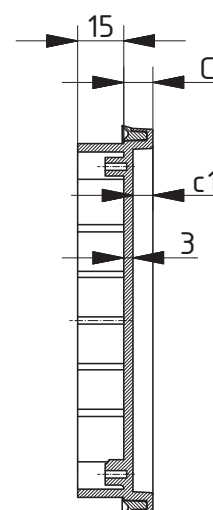
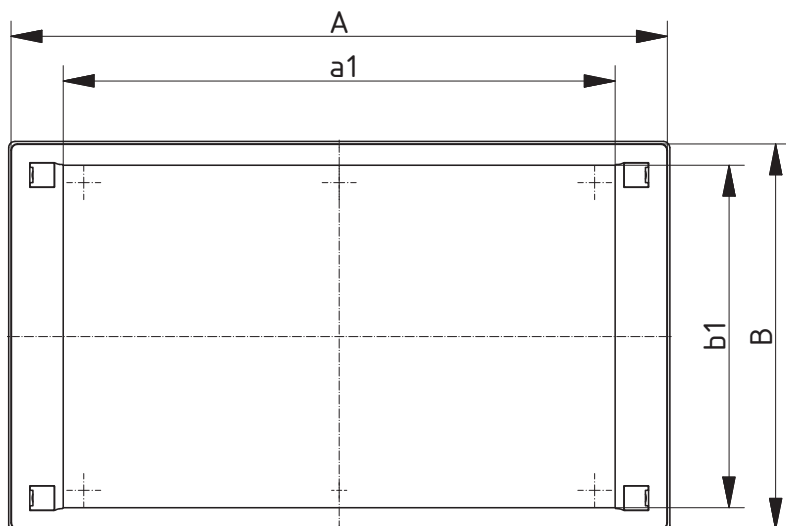
Note: Front panels with a max. thickness of 3 mm can be fitted to the enclosures in this series. Please order fixing screws separately (order no. 59006233).

# Combifront | Installation fronts

Installation fronts with continuous seal up to IP 54, ABS

Model	Order no.	A	B	C	a1	b1	c1
CF 130	69130009	131	131	9,5	96,3	117,3	6,5
CF 160	69160009	166	106	9,5	131,3	92,3	6,5
CF 200	69200009	213	125	9,5	179,3	111,3	6,5
CF 250	69250009	257	157	9,5	222,3	143,3	6,5
CF 310	69310009	296	196	9,5	261,3	182,3	6,5
CF 400	69400009	363,6	233,6	11,5	322	217	8,5

Scope of delivery: Front lid, double lip seal, screw covers



Z-2603300

For accessories, please see the end of the chapter

## Combifront | Accessories

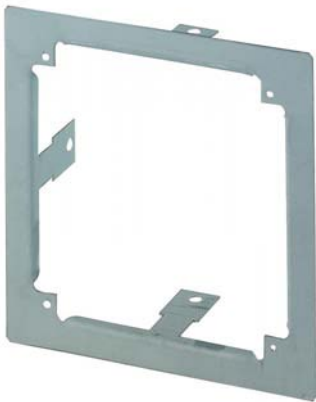


### Bases, galvanised sheet steel

Model	Order no.	Note
CB 1304	69130400*	For CF 130 and RCP(M) 130 F, 35 mm deep
CB 1307	69130700*	For CF 130, 65 mm deep
CB 1310	69131000*	For CF 130, 100 mm deep
CB 1604	69160400*	For CF 160/170 and RCP(M) 160/170 F, 35 mm deep
CB 1607	69160700*	For CF 160/170 and RCP(M) 170 F, 65 mm deep
CB 1610	69161000*	For CF 160/170, 100 mm deep
CB 2004	69200400*	For CF 200 and RCP(M) 200 F, 35 mm deep
CB 2007	69200700*	For CF 200, 65 mm deep
CB 2010	69201000*	For CF 200, 100 mm deep
CB 2504	69250400*	For CF 250 and RCP(M) 250 F, 35 mm deep
CB 2507	69250700*	For CF 250 and RCP(M) 250 F, 65 mm deep
CB 2510	69251000*	For CF 250, 100 mm deep
CB 3104	69310400*	For CF 310/350 and RCP(M) 310/350 F, 35 mm deep
CB 3107	69310700*	For CF 310/350 and RCP(M) 310/350 F, 65 mm deep
CB 3110	69311000*	For CF 310/350 and RCP(M) 350 F, 100 mm deep
CB 4004	69400400*	For CF 400 und RCP(M) 400 F, 35 mm deep
CB 4007	69400700*	For CF 400 and RCP(M) 400 F, 65 mm deep
CB 4010	69401000*	For CF 400 and RCP(M) 400 F, 100 mm deep

Scope of delivery: Base, screws

Note: The CB bases can also be used as EMC protection with the RCP/RCPM...F enclosures.



### Flush-mounted frame, galvanised sheet steel

Model	Order no.	Note
CR 130	69013050*	For CF 130
CR 160	69016050*	For CF 160
CR 200	69020050*	For CF 200
CR 250	69025050*	For CF 250
CR 310	69031050*	For CF 310
CR 400	69040050*	For CF 400

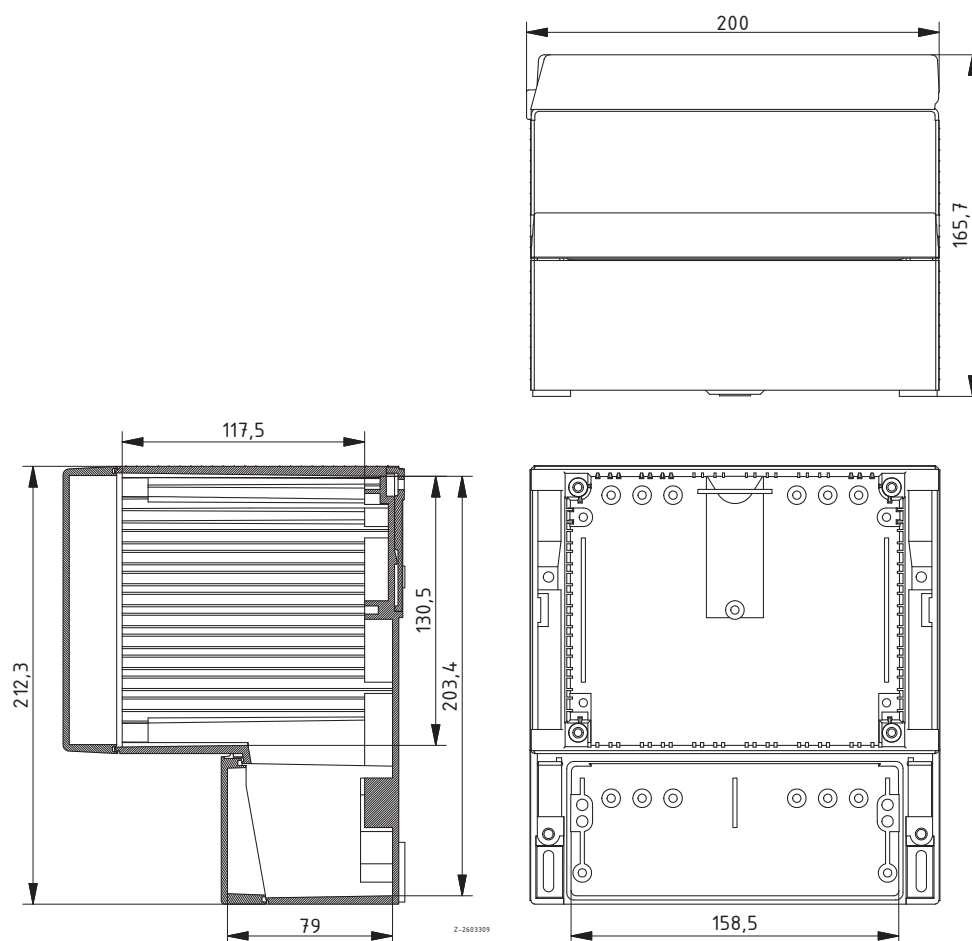
Scope of delivery: Flush-mounted frame, screws

# InterCard | Enclosures

Enclosure with crystal-clear lid, hinged and with snap lock, IP 65

<b>Model</b>	<b>Order no.</b>
IC 5000	07500000

Scope of delivery: Base, crystal-clear lid, hinged, mounted with snap lock, terminal compartment lid, threaded inserts for mounting panels, screws



For accessories, please see the end of the chapter

## InterCard | Accessories



### Cylinder lock

Model	Order no.	Note
SHLO-302	21008310	Cylinder lock

Scope of delivery: 1 lock, 2 keys



### Mounting panel, laminated paper

Model	Order no.	Note
MP 5000	27450000	

Scope of delivery: 1 mounting panel, fixing material



### Front panel, 2 mm, natural-coloured anodised aluminium

Model	Order no.	Note
FA 5000	27350000	2 mm

Scope of delivery: 1 front panel, fixing material

