

Elesett / Eletec



Detailed product information can be found on www.bopla.de



- Connector enclosure series in the following version: Connector (CEE 7/7, hybrid connector type E+F), Euro plug (CEE 7/16, hybrid connector type C), safety socket
- Made of flame-resistant plastic (UL 94 V0)
- Half-shell technology ensures easy access to the electronics
- Additional types, national versions, colours and enclosure heights available on request

Colour:

Traffic white (similar to RAL 9016)

Protection class:

IP 40/DIN EN 60529;

IP 20/DIN EN 60529 with safety socket

Enclosure material:

PC/ABS blend, flame-resistant, UL 94 V0

This series of connector enclosures stands out thanks to its functional and modern design



Modern, functional design



All enclosures are made of flame-resistant plastic, IP 20 / IP 40 protected.



Half-shell technology ensures easy access to the electronics.



Versions with and without earthing are available.



Additional variants, versions for different countries, different colours and enclosure heights are available on request.



The lid can also be fitted turned by 180°. This ensures optimal use of the mounting space and operating position.



Mounting bosses for self-tapping screws are provided in the base and ensure easy mounting.

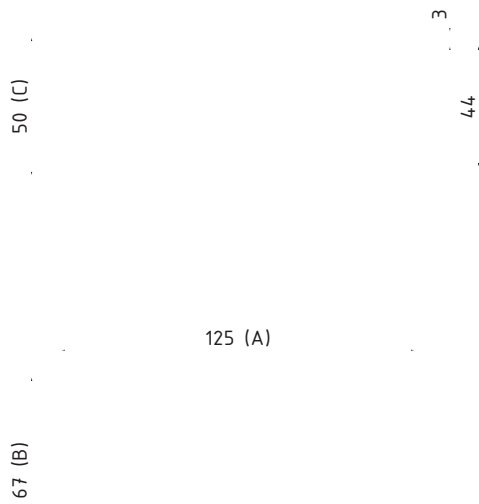
Elesett | Enclosures



Connector enclosure

Model	Order no.	A	B	C	Note
ESO 1250 E / ESU 1200 E/CEE - 9016	44000109	125	67	50	1: Lid with safety socket; base with connector (CEE 7/7; hybrid connector type E+F)
ESO 1250 / ESU 1200 E/CEE - 9016	44000409	125	67	50	2: Lid in smooth closed version; base with connector (CEE 7/7; hybrid connector type E+F)
ESO 1250 E / ESU 1200 - 9016	44002509	125	67	50	3: Lid with safety socket; base in closed version

Scope of delivery: Lid and base, screws



Z-2803705

Eletec | Enclosures

Connector enclosure with Euro plug

Model	Order no.	A	B	C	c1
SE 420 EU - 9016	43420209	100	50	40	34

Scope of delivery: Lid and base, screws

Note:

- Lid in smooth closed version
- base with Euro plug (CEE 7/16; connector type C)



Connector enclosure with connector

Model	Order no.	A	B	C	c1
SE 420 E/CEE - 9016	43420109	100	50	40	34
SE 430 E/CEE - 9016	43430009	120	56	40	34
SE 435 E/CEE - 9016	43435009	120	65	66	60

Scope of delivery: Lid and base, screws

Note:

- Lid in closed version
- base with connector (CEE 7/7; hybrid connector type E+F)



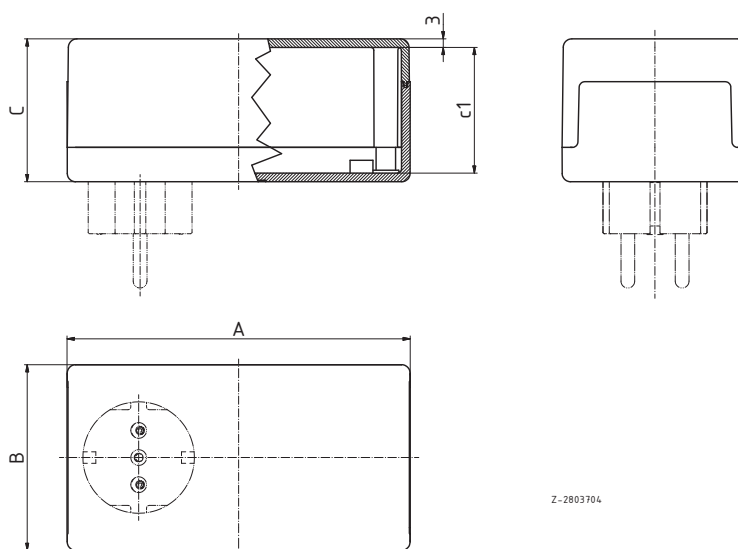
Connector enclosure with connector and safety socket

Model	Order no.	A	B	C	c1
SE 432 DE - 9016	43432509	120	65	50	44
SE 435 DE - 9016	43435509	120	65	66	60

Scope of delivery: Lid and base, screws

Note:

- Lid with safety socket
- base with connector (CEE 7/7; hybrid connector type E+F)



Z-2803704