



RK ROSE+KRIEGER

A Phoenix Mecano Company

RK Monitor Mounting

Industry grade with universal
or VESA interface



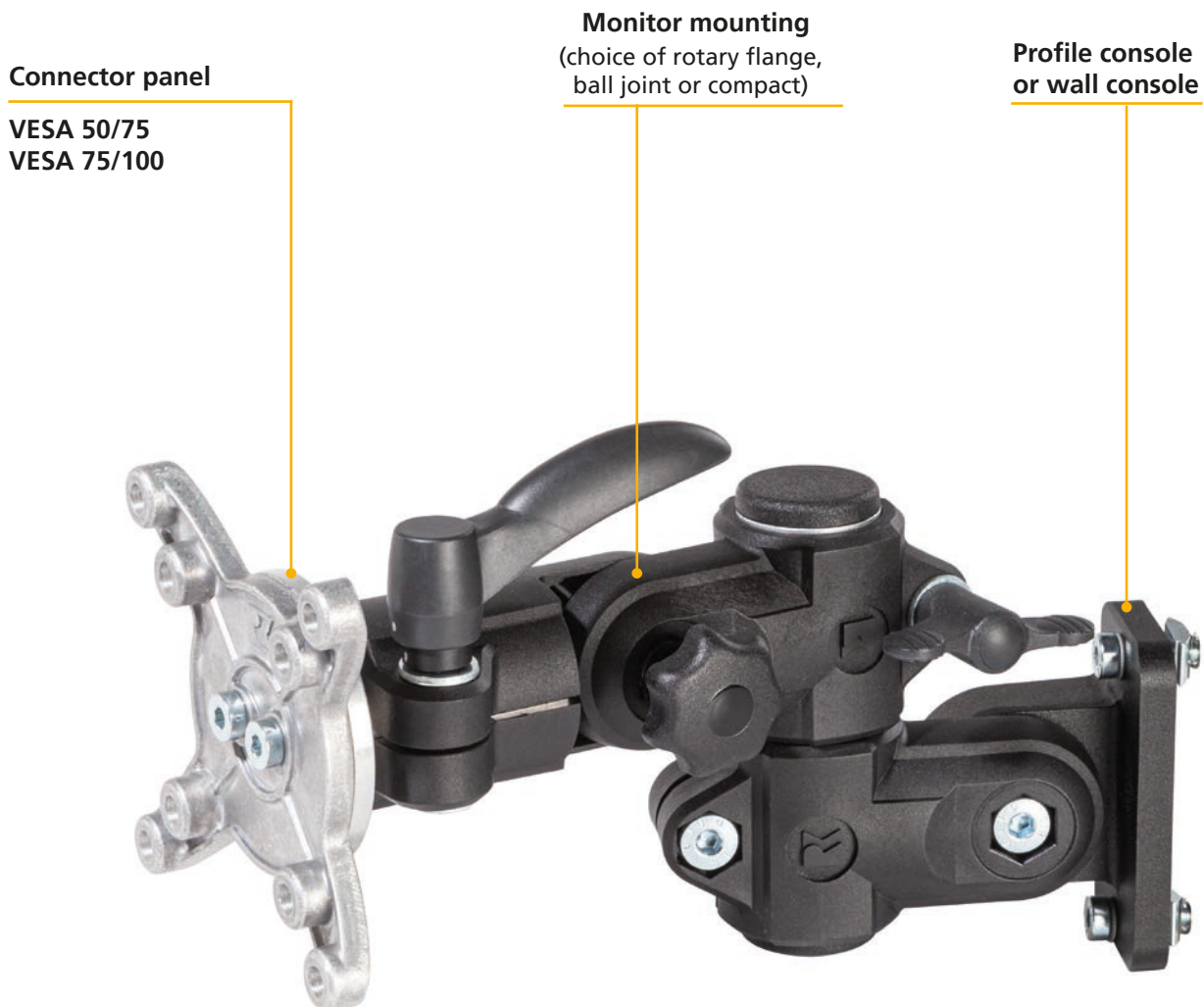
RK Monitor Mounting

All purpose mounting for monitors, touch panels and operating units

This mounting for monitors, touch panels and other operating units is flexible, offers many degrees of freedom and thus can be used universally. Due to compatibility to RK Connecting Technology as well to the RK Profile System most different connections are realizable.

Ideal range of applications:

- General industrial applications
- Plants and machines
- Control centers
- Ergonomic work stations



Connector panel

VESA 50/75
VESA 75/100

Monitor mounting (choice of rotary flange, ball joint or compact)

Profile console or wall console

Features

- Choice of user-specific or VESA-standard monitor connection
- High-strength materials guarantee a long-term load-bearing capacity of up to 25 kg, for reliable processes
- Highly ergonomic thanks to personalised height adjustment
- Optimum adjustment of the field of vision thanks to side-turning
- rotary flange and ball joint: vibration-proof locking in 15° increments
- compact: fixing principle with half shells (suitable for retrofitting and extensions) reducing bushes available (round or square 20, 25, 30mm)
- Connects to aluminium profile, and thus also to the machine frame using slot stones
- Universal mounting holes facilitate simple wall mounting



Table of contents

| | |
|---------------------|---|
| Versions | Rotary flange monitor mounting S. 4 |
| | Ball joint monitor mounting S. 4 |
| | Monitor mounting compact..... S. 5 |
| Fixing | Wall console S. 6 |
| | Profile console..... S. 6 |
| | Support arm single..... S. 7 |
| | Support arm double S. 8 |
| | Support arm double height adjustable. S. 9 |
| | Support arm telescope..... S.10 |
| | Support arm telescope height adjustable. S. 12 |
| Modules | Monitor floor stand adjustable S. 14 |
| Accessories | Adaptor plate VESA 50/75 S. 18 |
| | Adaptor plate VESA 75/100 S. 18 |
| | Keyboard tray S. 19 |
| | Tablet holder S. 20 |
| | Smartphone holder S. 21 |
| | Lockable steering roller S.22 |
| | Vario-Quick holding block S. 22 |
| | Reducing bushes..... S. 23 |
| | Reducing inserts S. 23 |
| | Clamping lever S. 24 |
| | Cable straps with velcro..... S. 24 |
| Applications | Monitor Mounting S. 24 |

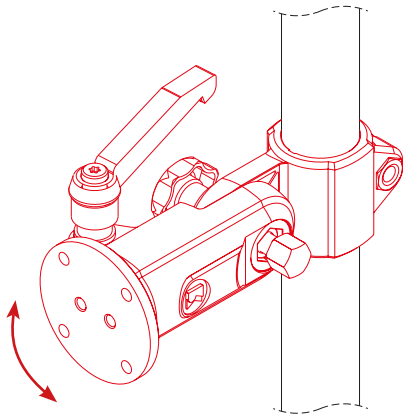
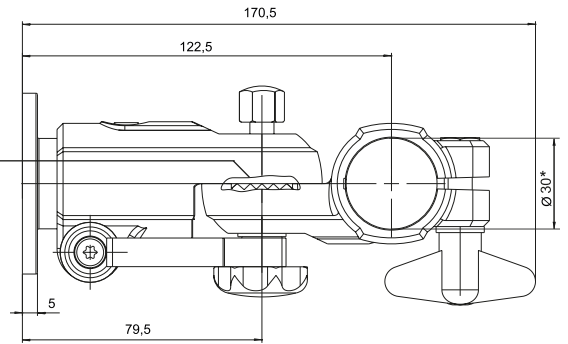
RK Monitor Mounting

Versions

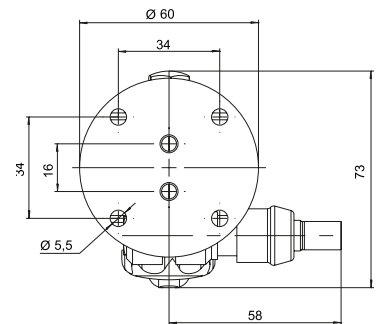
Rotary flange monitor mounting



Locking in 15° - steps



90°



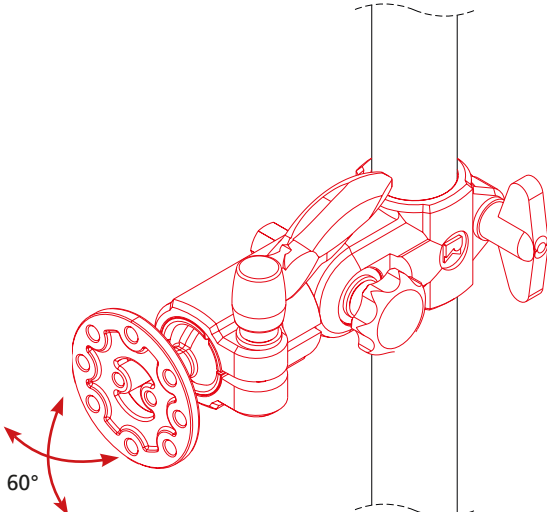
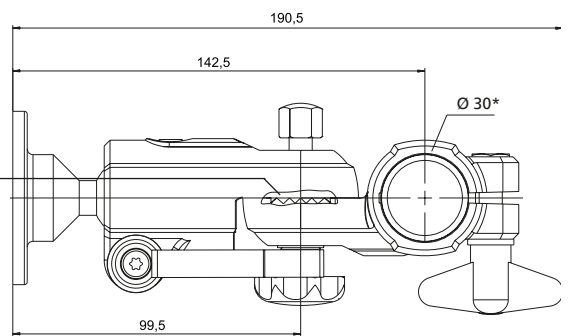
| Code No. | Weight | max. load |
|--------------|--------|-----------|
| 193000030C11 | 370 g | 25 kg |

*Other cross-sections by reducing bushes (see page 23)

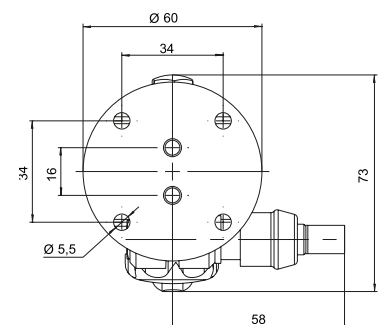
Ball joint monitor mounting



Locking in 15° - steps



60°

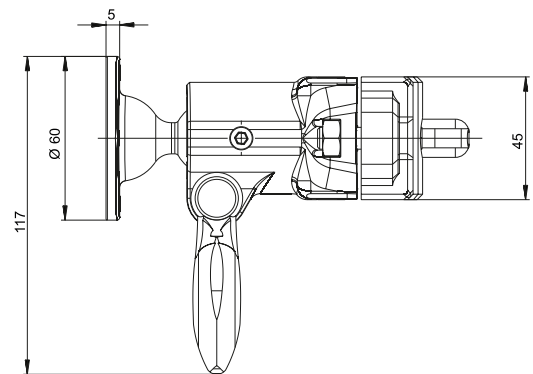
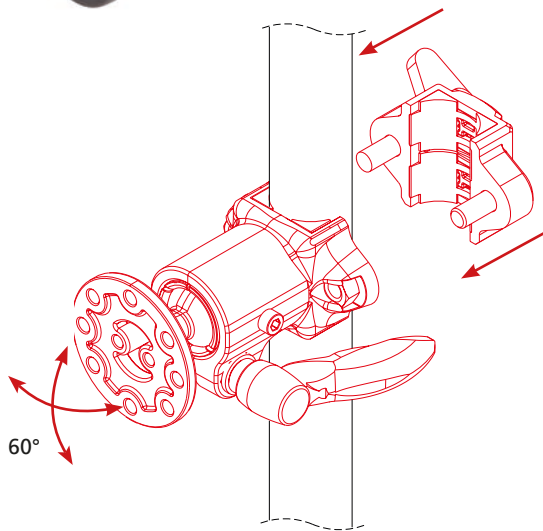
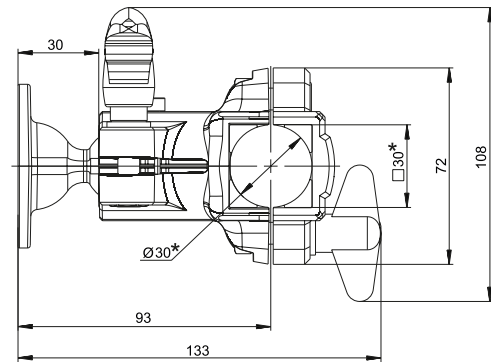
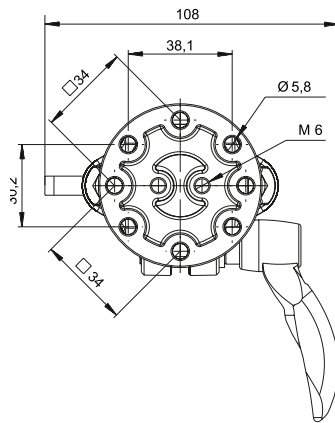


| Code No. | Weight | max. load |
|--------------|--------|-----------|
| 193000042C11 | 342 g | 10 kg |

*Other cross-sections by reducing bushes (see page 23)



Monitor mounting compact



| Code No. | Weight | max. load |
|--------------|--------|-----------|
| 193000052C11 | 290 g | 10 kg |

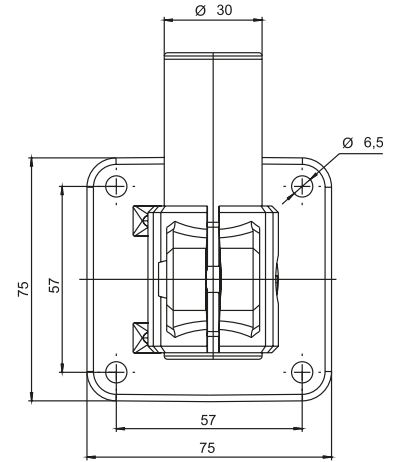
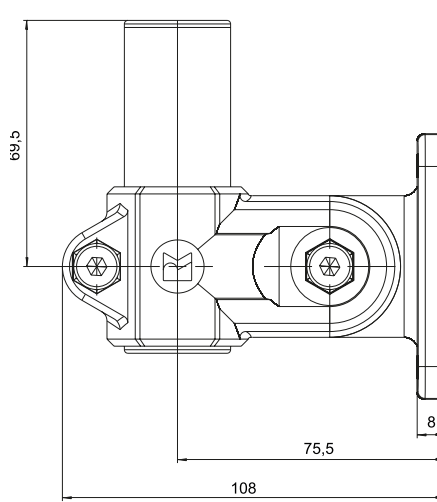
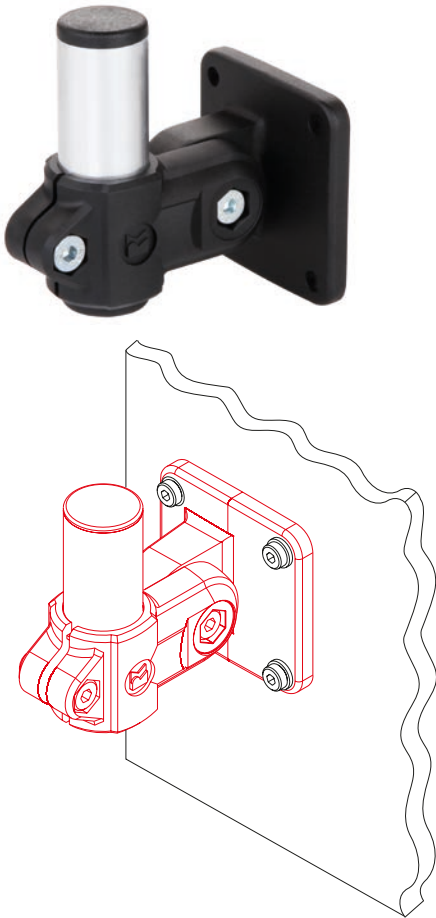
*Other cross-sections by reducing inserts (see page 23)



RK Monitor Mounting

Fixing

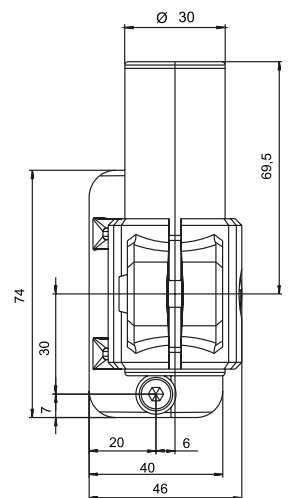
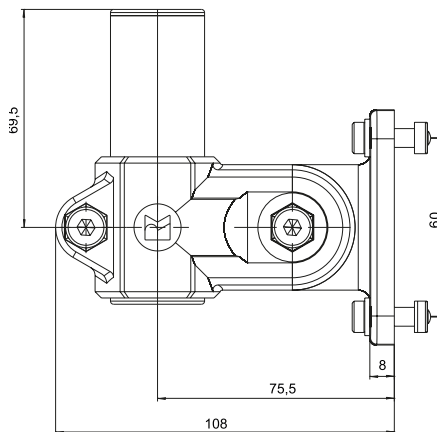
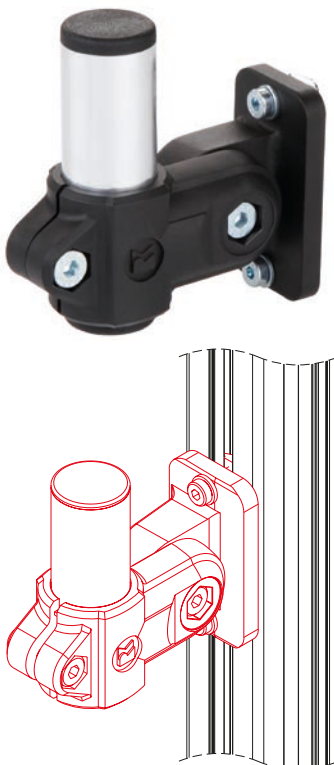
Wall console



| Code No. | Weight |
|--------------|--------|
| 193000358C66 | 306 g |

Profile console

Includes:
Complete with fixing set for slot geometry 40



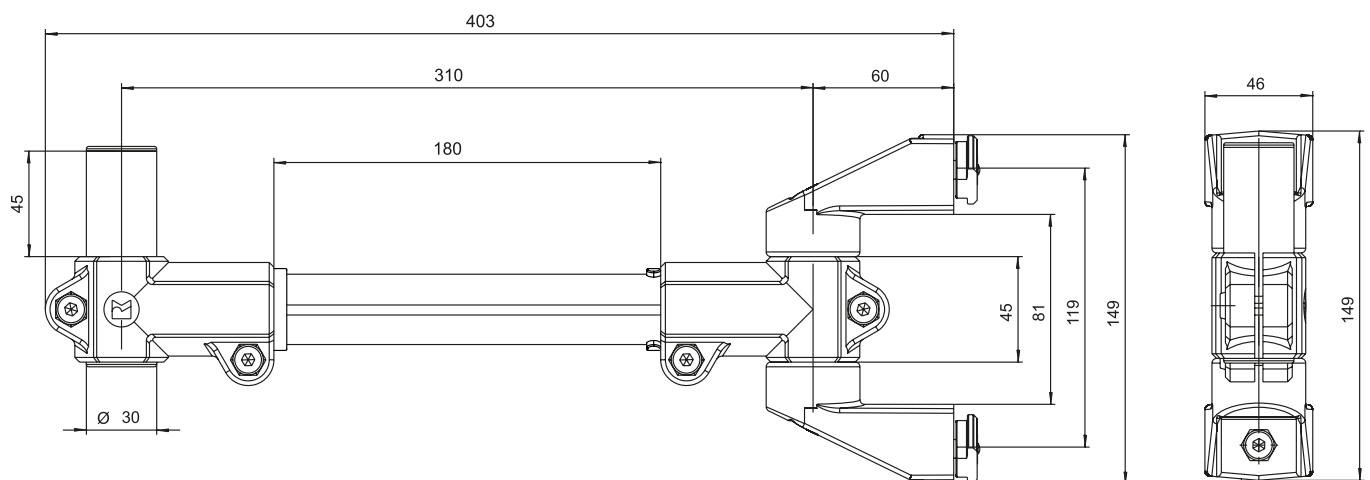
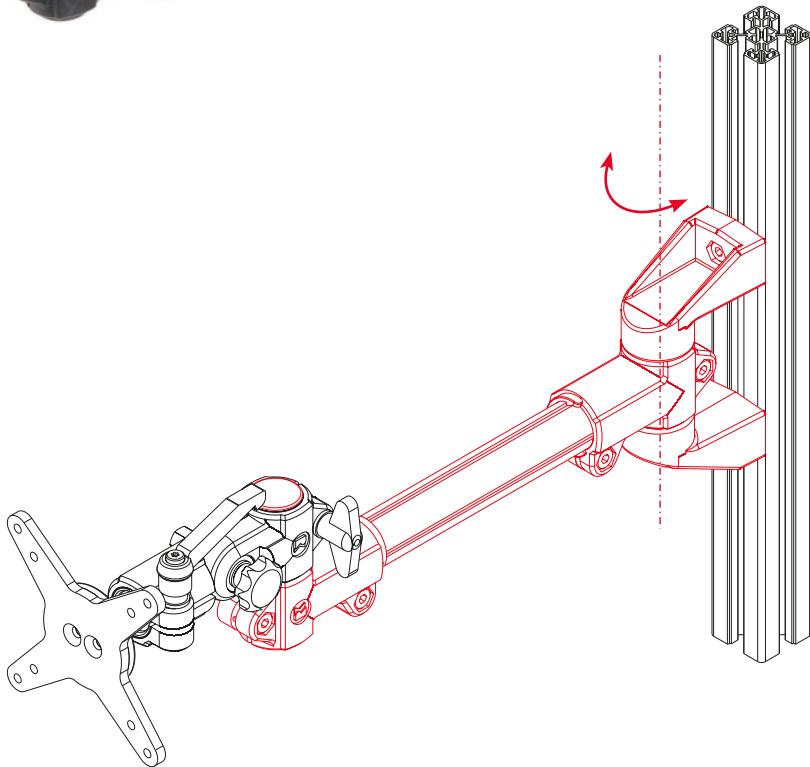
| Code No. | Weight |
|--------------|--------|
| 193000298C66 | 270 g |



RK ROSE+KRIEGER

Support arm single

Includes:
Complete with fixing set for
slot geometry 40



| Code No. | Weight | max. load |
|--------------|--------|-----------|
| 193000018C66 | 610 g | 10 kg |

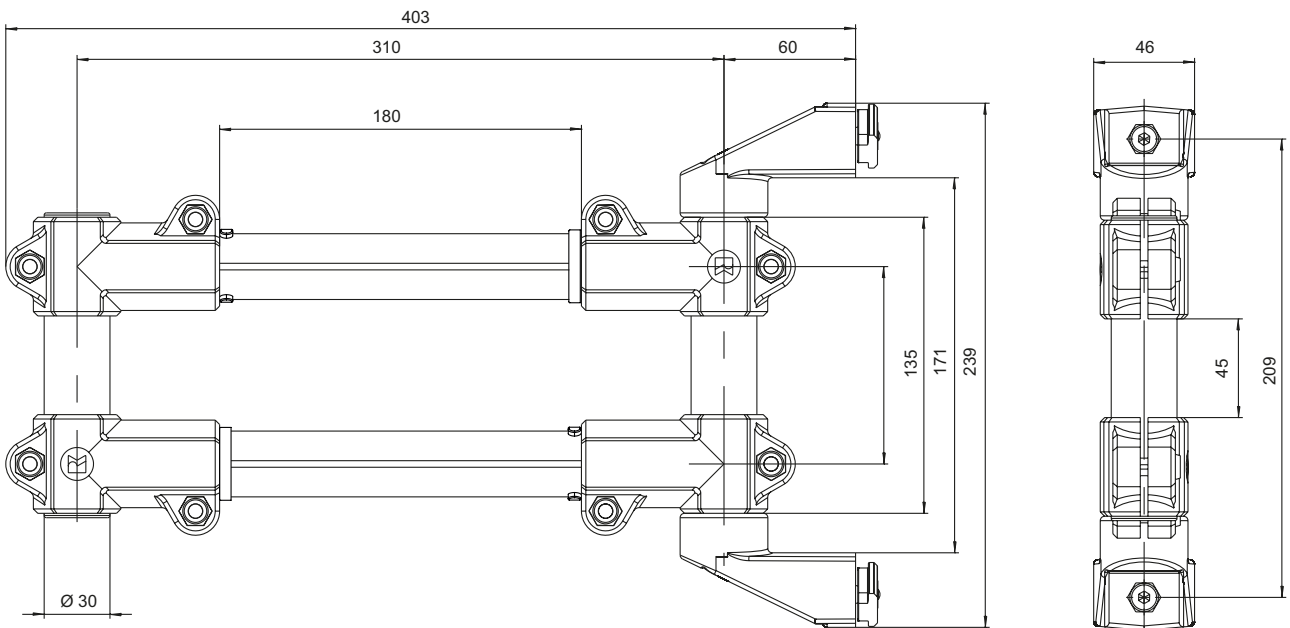
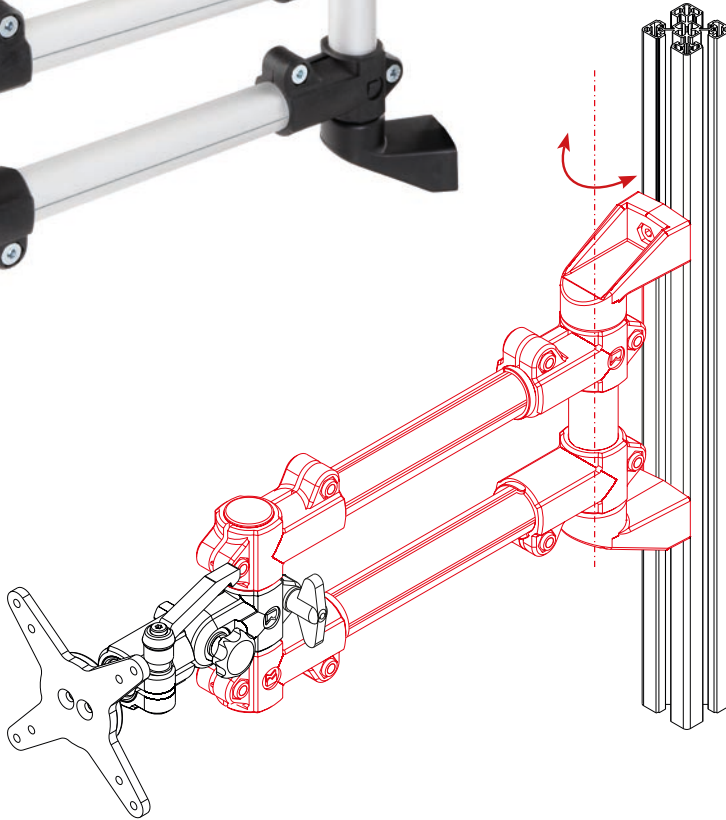
RK Monitor Mounting

Fixing

Support arm double

Includes:

Complete with fixing set for slot geometry 40



| Code No. | Weight | max. load |
|--------------|--------|-----------|
| 193000028C66 | 1030 g | 25 kg |

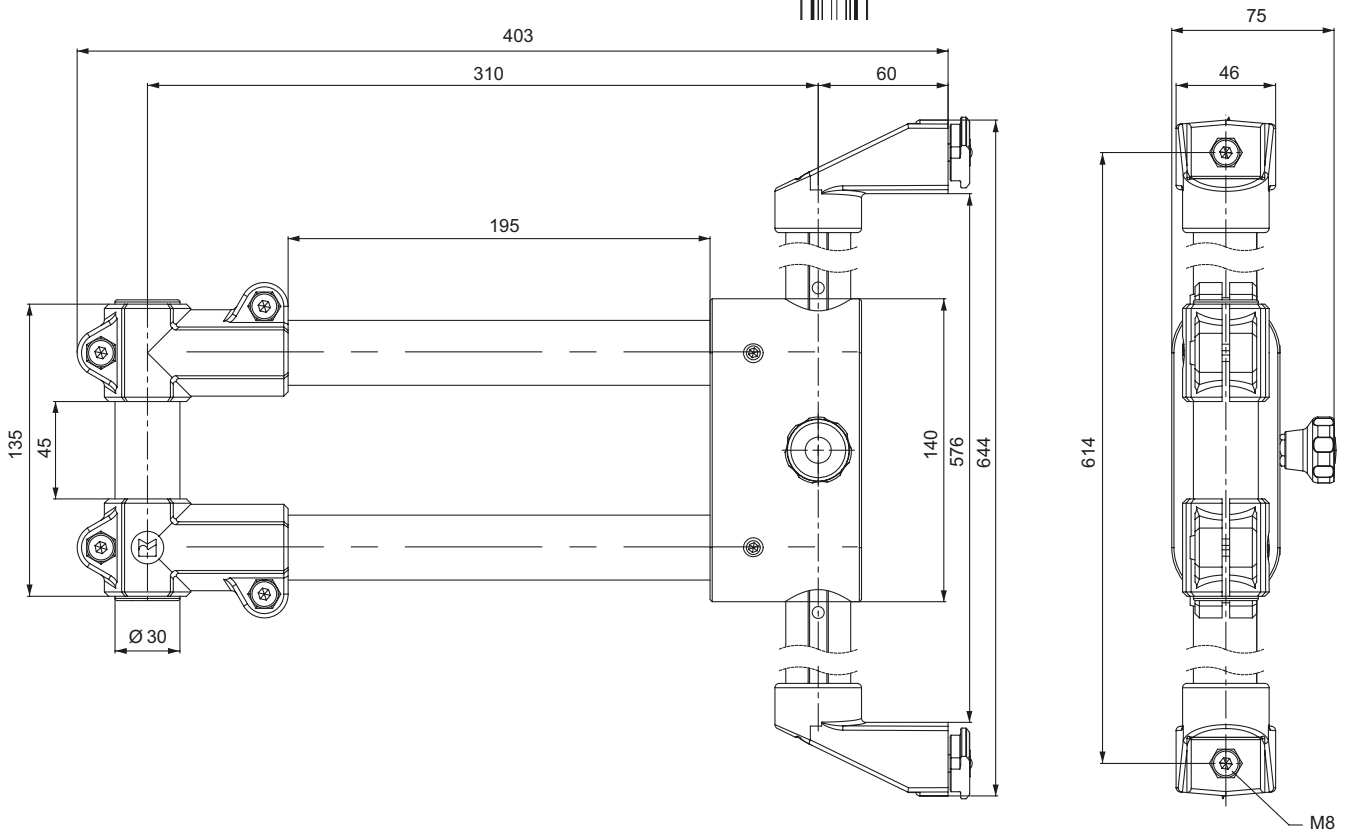
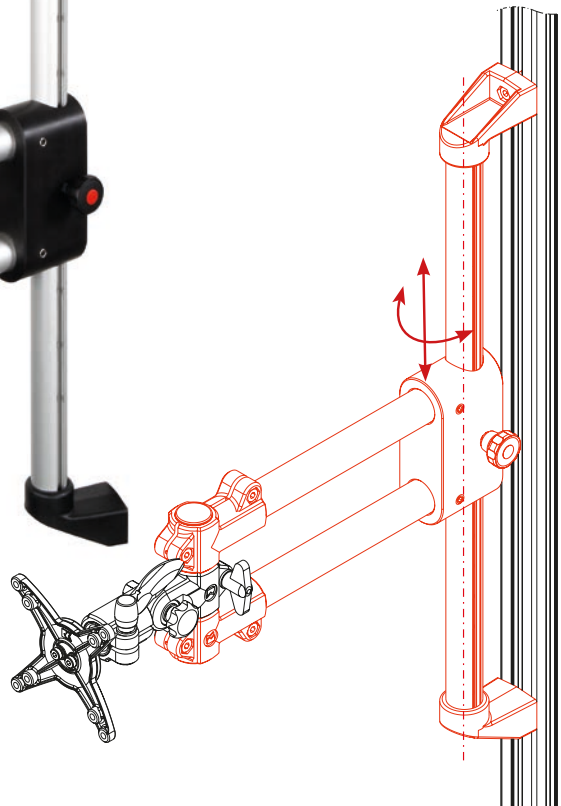


Support arm double height adjustable



Includes:
Complete with fixing set for slot geometry 40

Features:
Travel 400mm max. (30 mm steps)
Toolless manual adjustment
Safe locking by a spring-loaded stop bolt



| Code No. | Weight | max. load |
|--------------|--------|-----------|
| 193000068C66 | 2040 g | 10 kg |

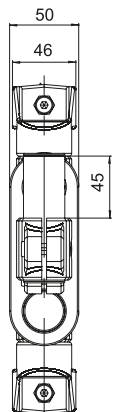
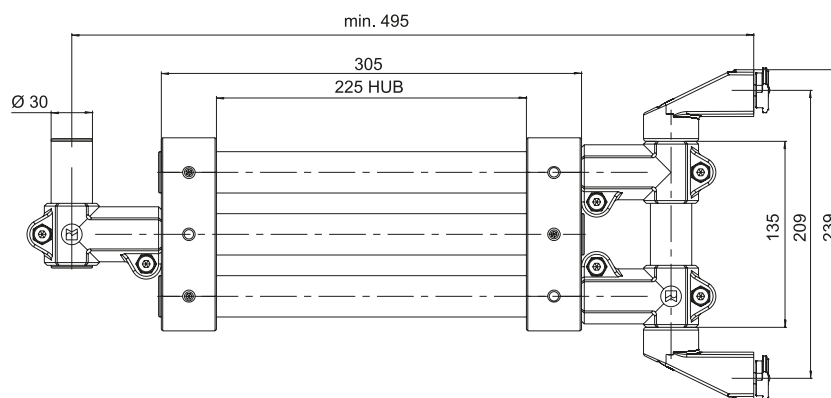
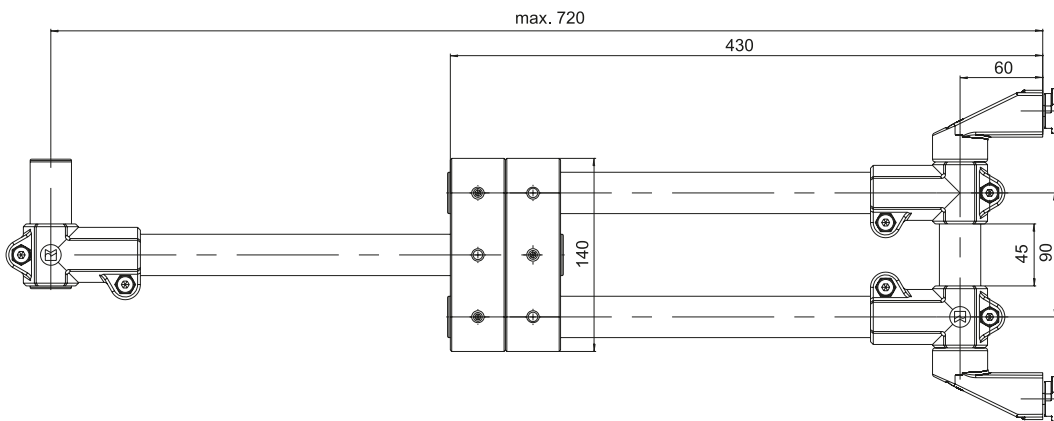
RK Monitor Mounting

Fixing

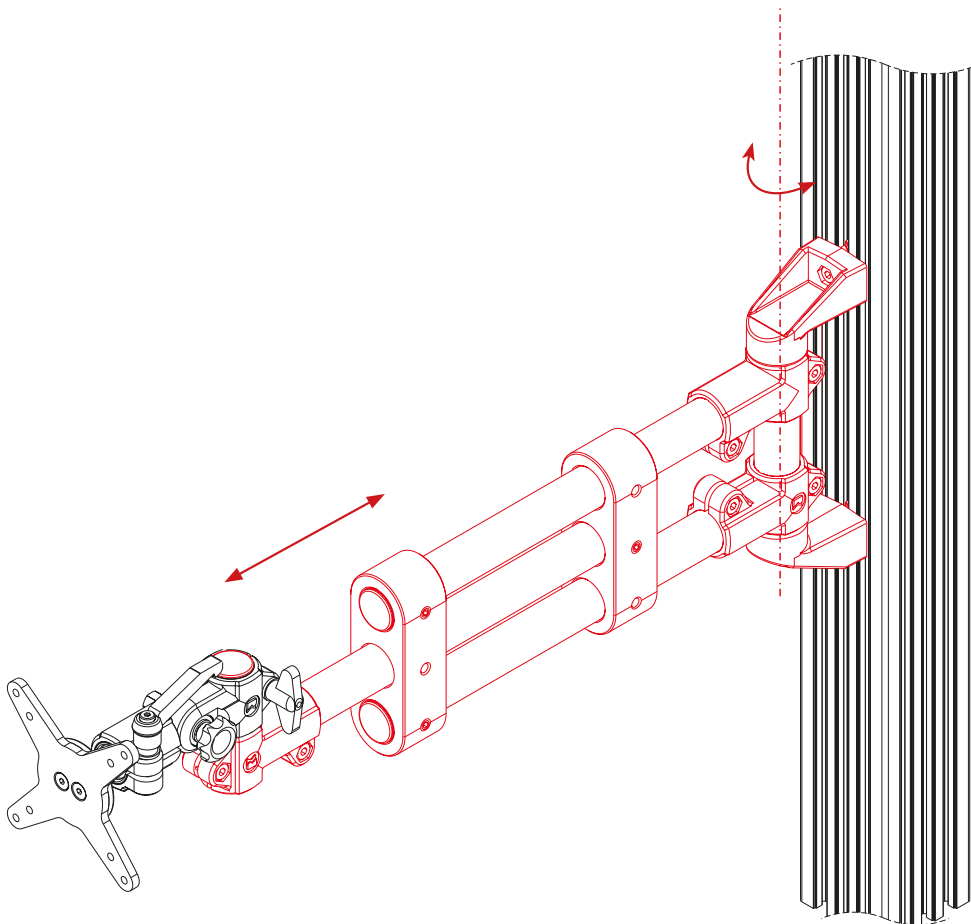
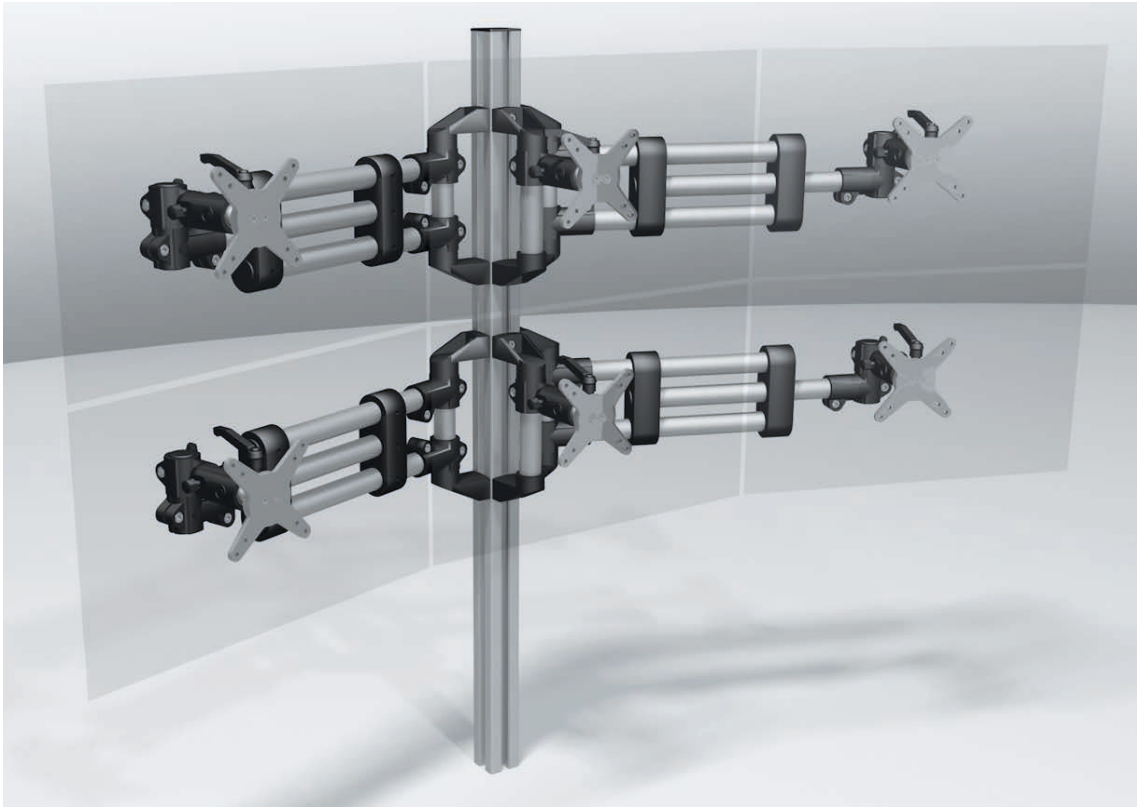
Support arm telescope

Includes:

Complete with fixing set for slot geometry 40



| Code No. | Weight | max. load |
|--------------|--------|-----------|
| 193000048C66 | 1610 g | 5 kg |



RK Monitor Mounting

Fixing

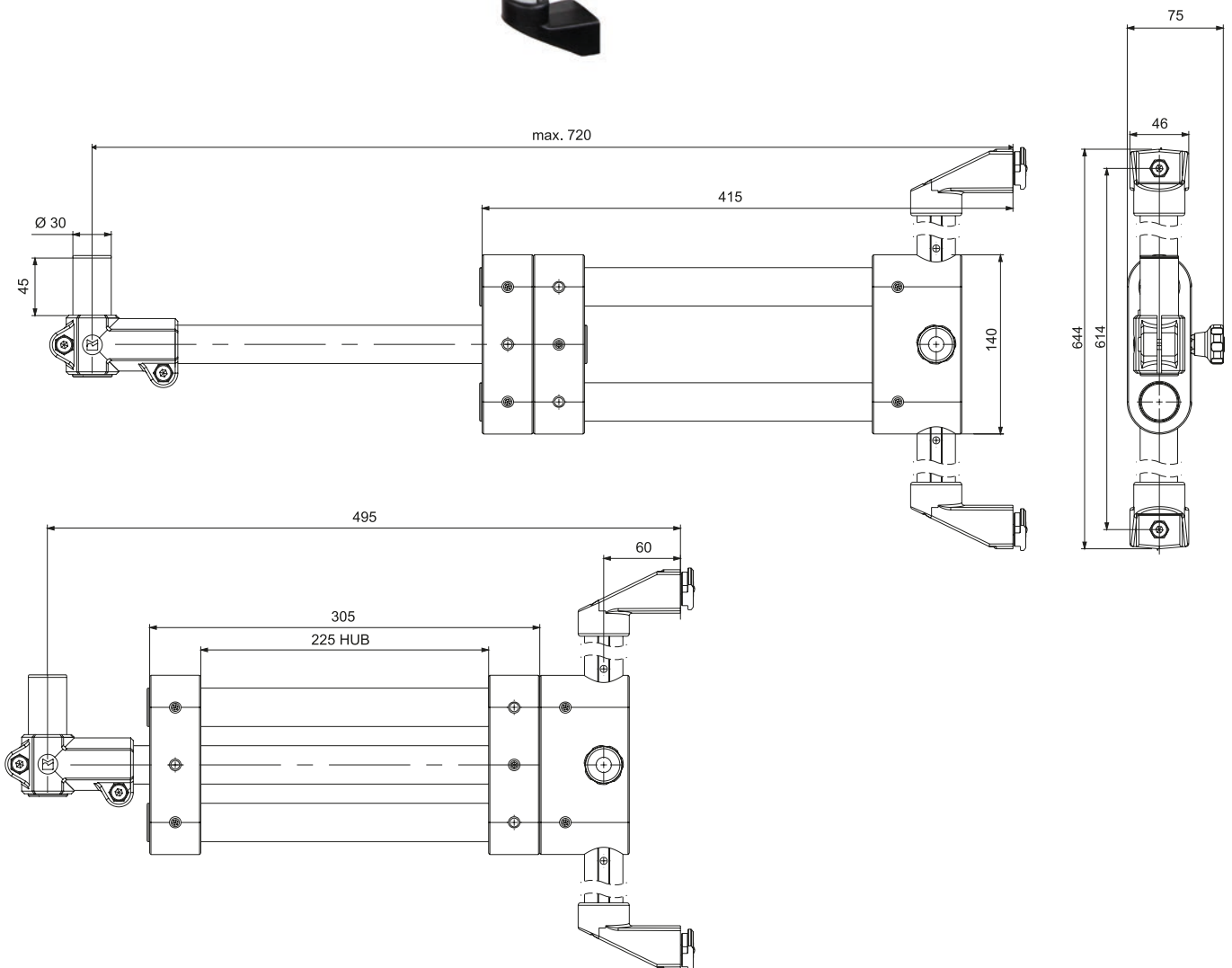
Support arm telescope
height adjustable



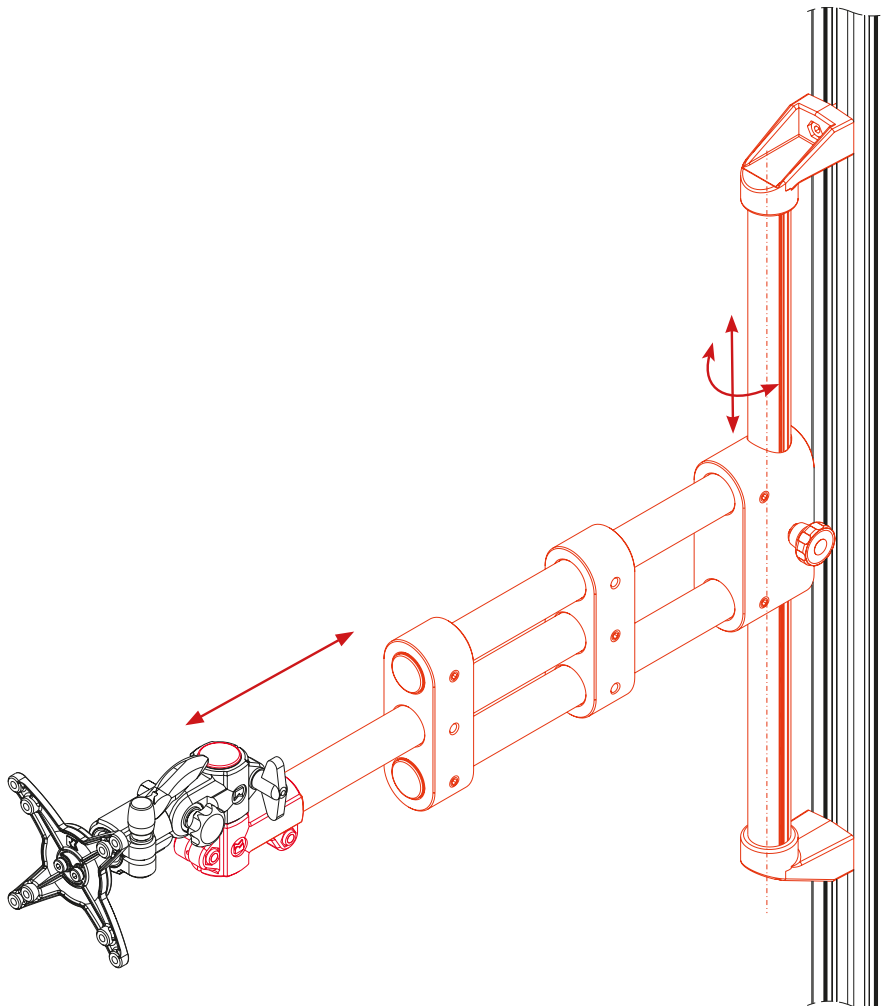
Includes:
Complete with fixing set for lot geometry 40

Features:

- Travel 400mm max. (30 mm steps)
- Toolless manual adjustment
- Safe locking by a spring-loaded stop bolt



| Code No. | Weight | max. load |
|--------------|--------|-----------|
| 193000058C66 | 2640 g | 5 kg |



RK Monitor Mounting

Modules

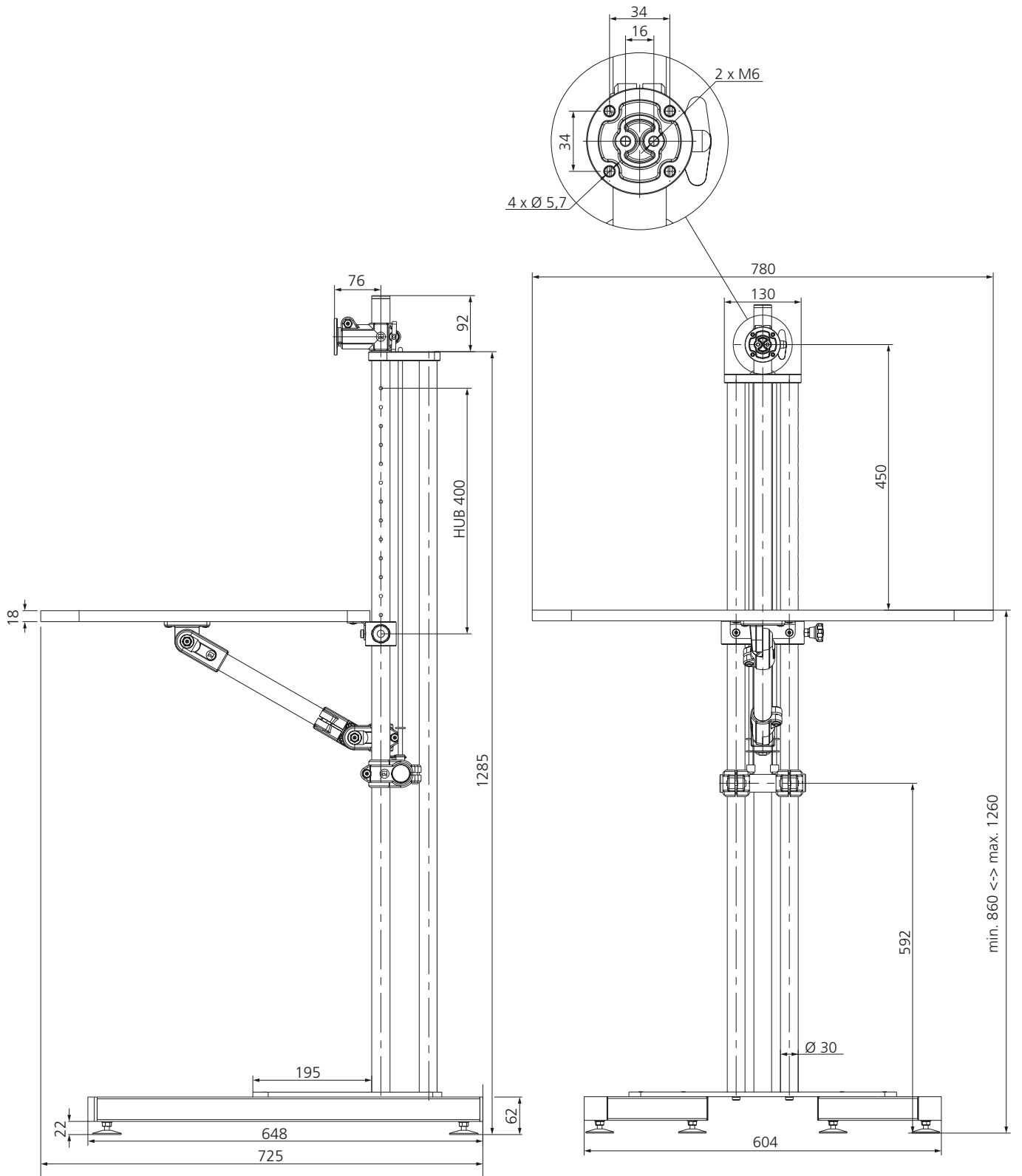
Monitor floor stand adjustable

Delivery includes: pre-assembled kit

Features:

- Travel 400mm max. (31mm steps)
- Manual adjustment without tools of the work surface with tie rod support
- Safe locking of the height adjustment by spring-loaded locking bolt
- Stable construction with adjustable feet, optionally with swivel castors (page <?>)
- Coated working surface (0,30m²)
- Integrated cable channel
- Mounting for monitor pre-assembled, optionally combinable with all RK monitor mountings

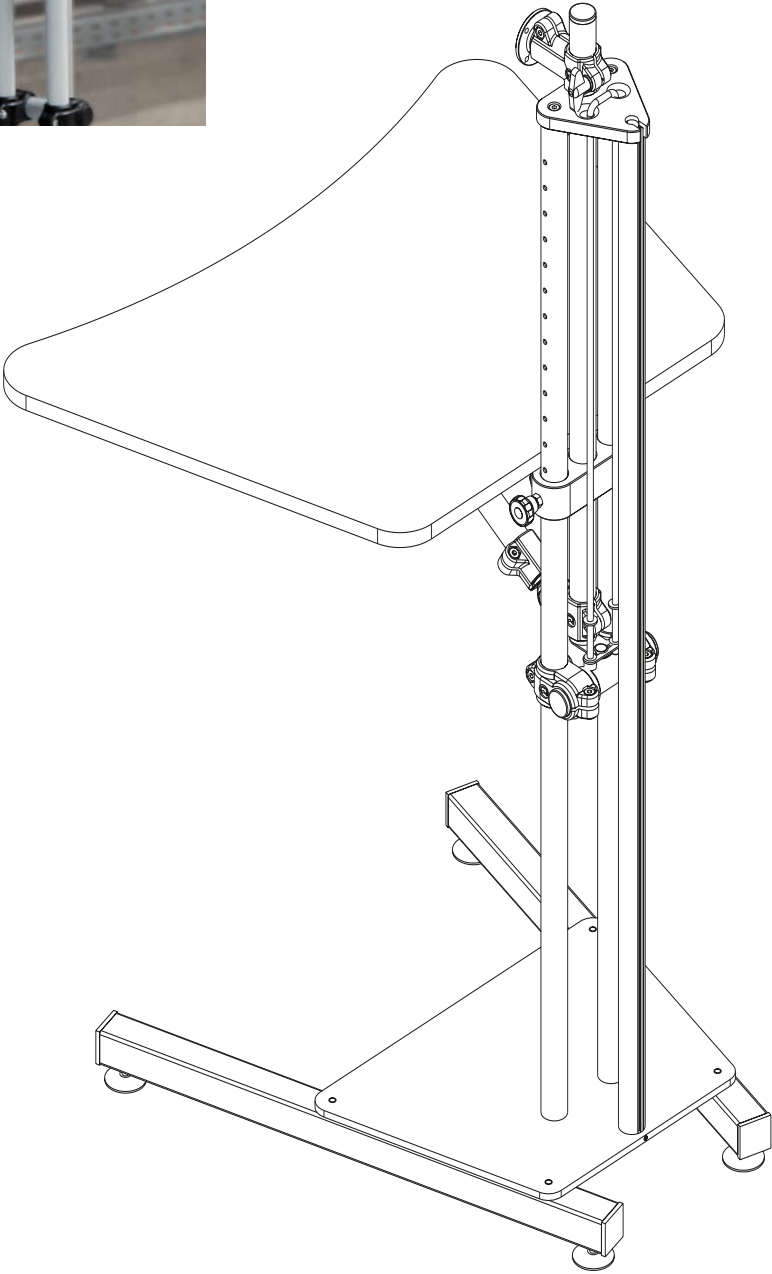




| Code No. | Weight |
|--------------|---------|
| 193000078C66 | 22,2 kg |

Modules

Monitor floor stand adjustable





Height adjustment for monitors



Cable guide



Height adjustment
table top (locking bolt)



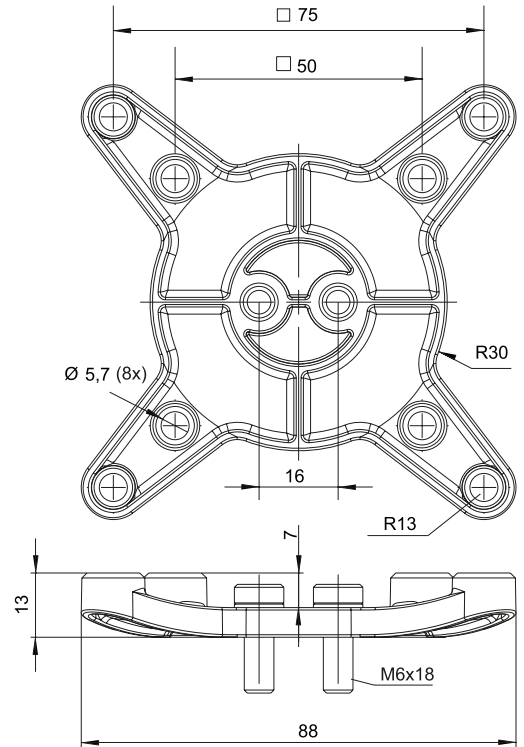
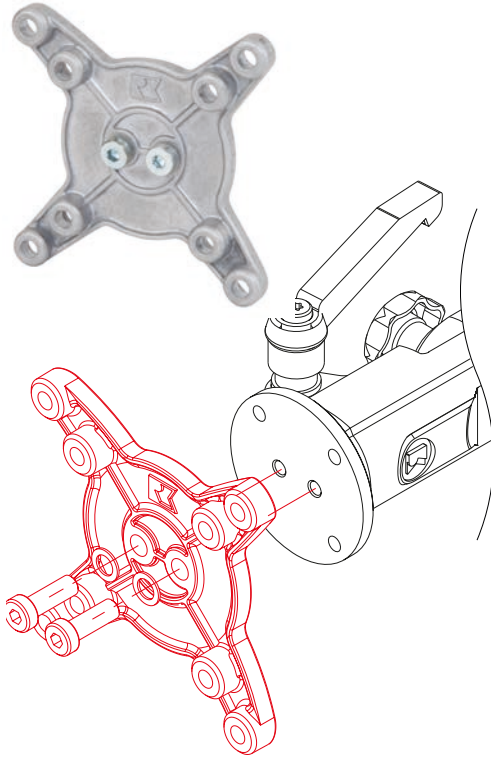
Optional: Lockable swivel castor (page 22)



Tie rod

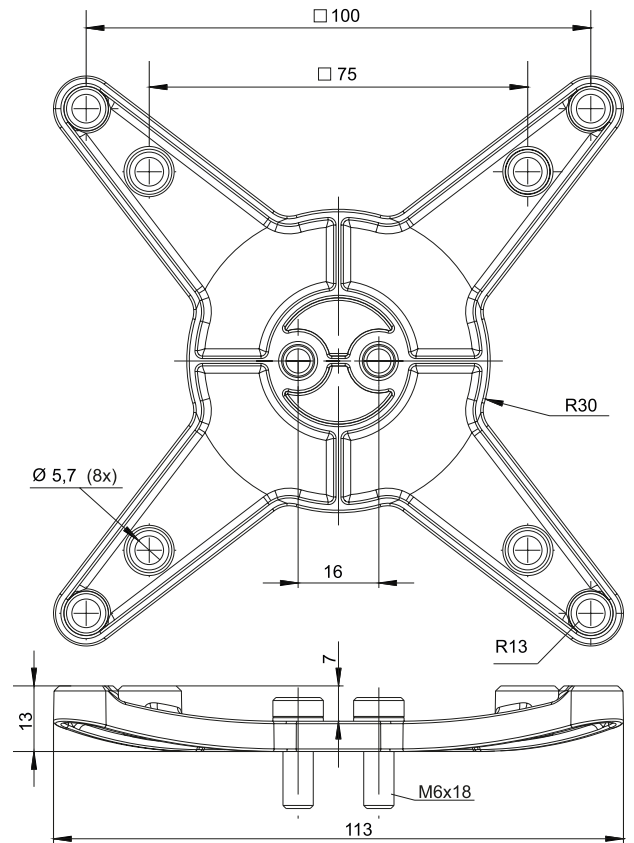
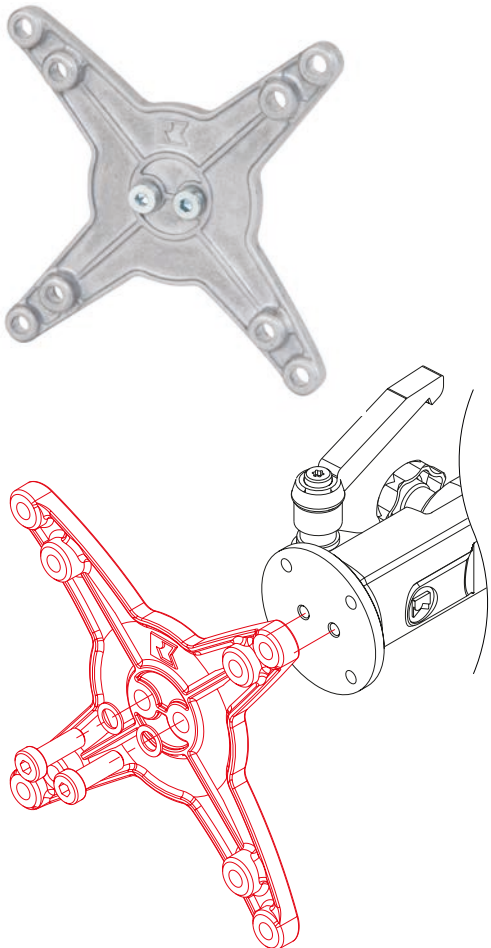
Accessories

Adaptor plate VESA 50/75



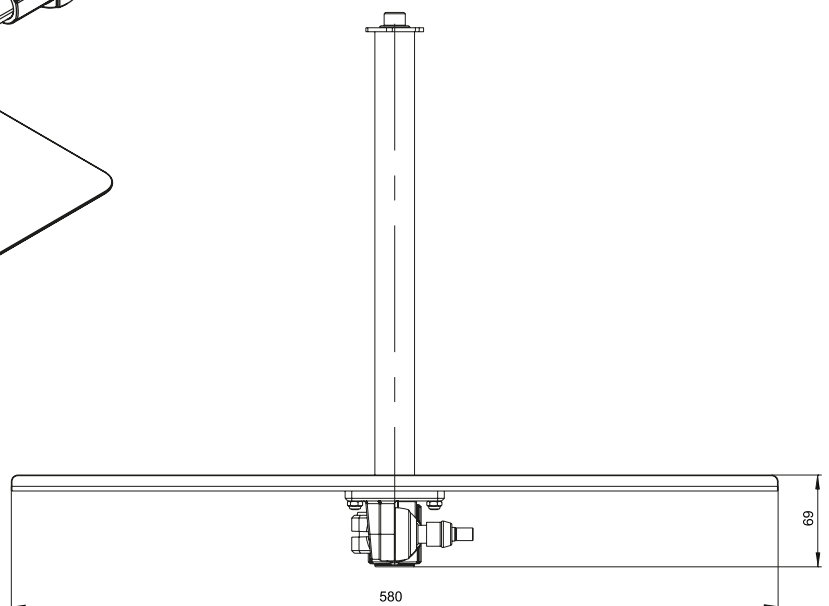
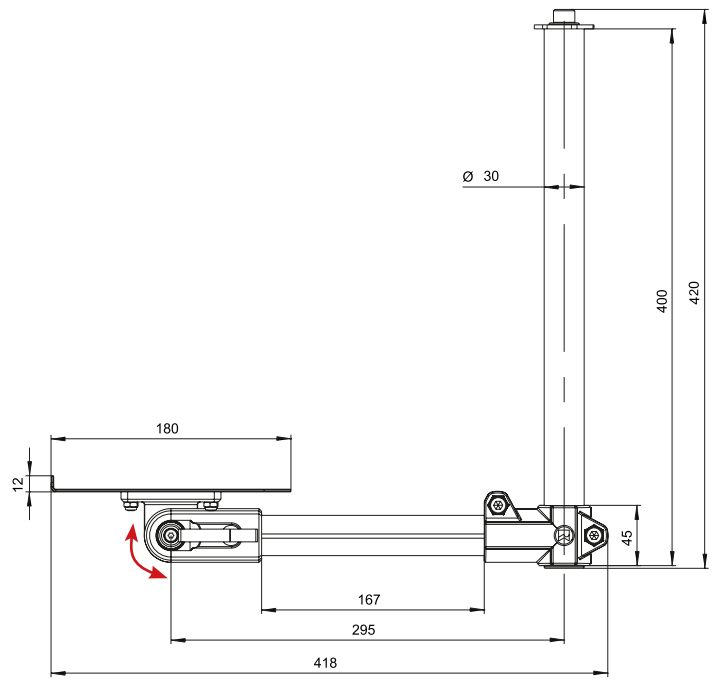
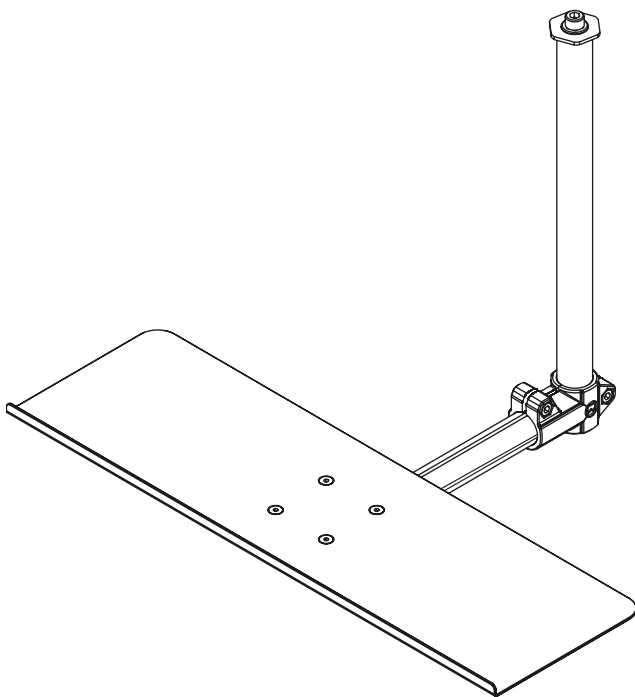
| Code No. | Weight |
|----------|--------|
| 94372 | 67 g |

Adaptor plate VESA 75/100



| Code No. | Weight |
|----------|--------|
| 94371 | 80 g |

Keyboard tray



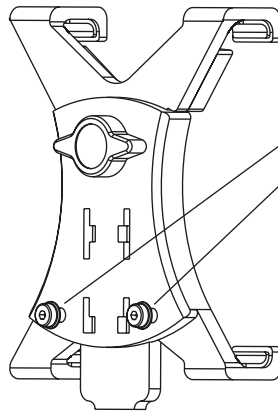
Designed for Support arm double and
Support arm double height adjustable

| Code No. | Weight |
|--------------|--------|
| 193000038C66 | 2500 g |

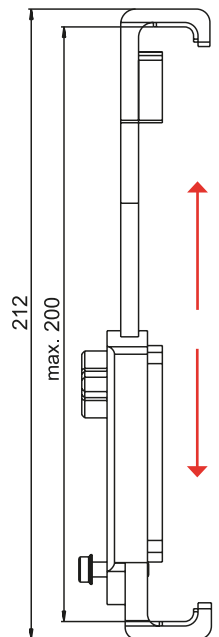
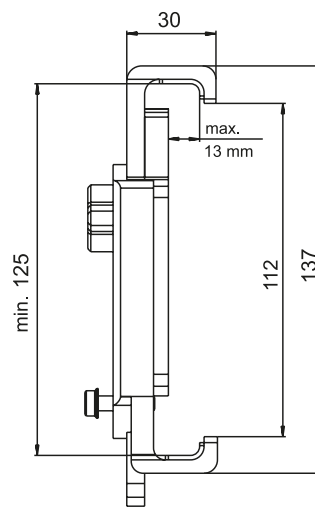
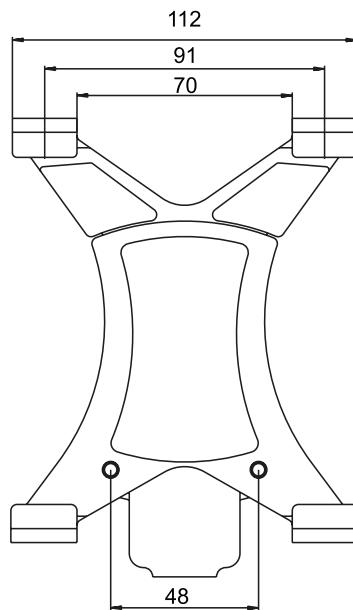
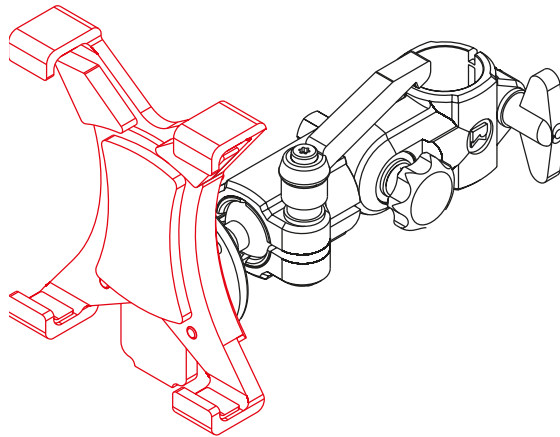
RK Monitor Mounting

Accessories

Tablet holder



Delivery includes: fixing set for RK monitor mounting

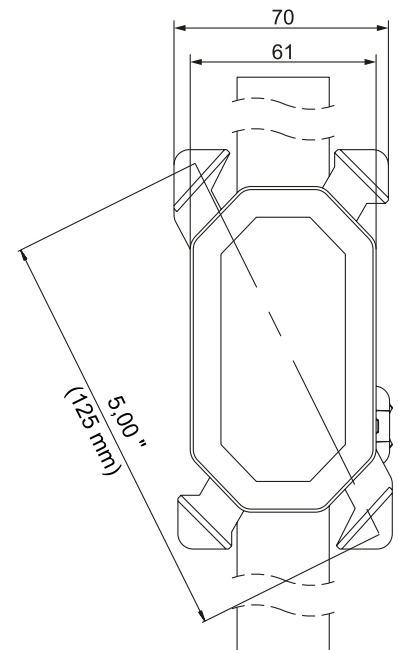
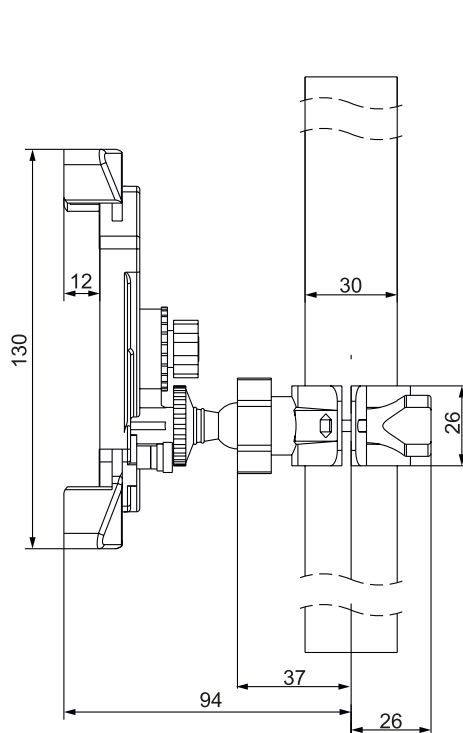
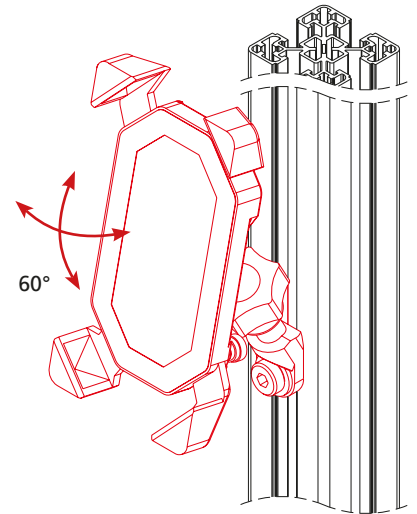
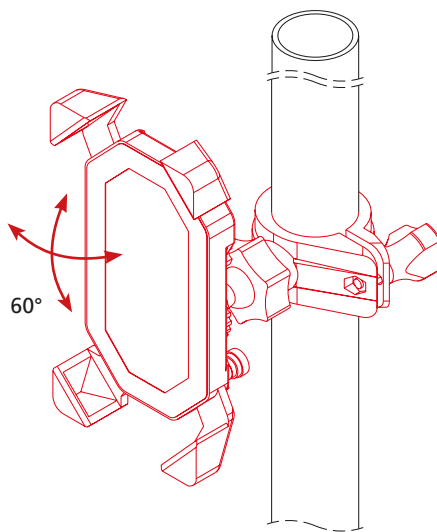


| Code No. | adjustment range |
|--------------|--------------------|
| 193000052C66 | from 125 to 200 mm |



Smartphone holder

Delivery includes:
including fastening 30 mm round tube and fastening
to RK Rose+Krieger Profile system (40 mm groove geometry)



| Code No. | adjustment range |
|--------------|---|
| 193000038C69 | from 125 (5 inch) to 185 (7,25 inch) mm |

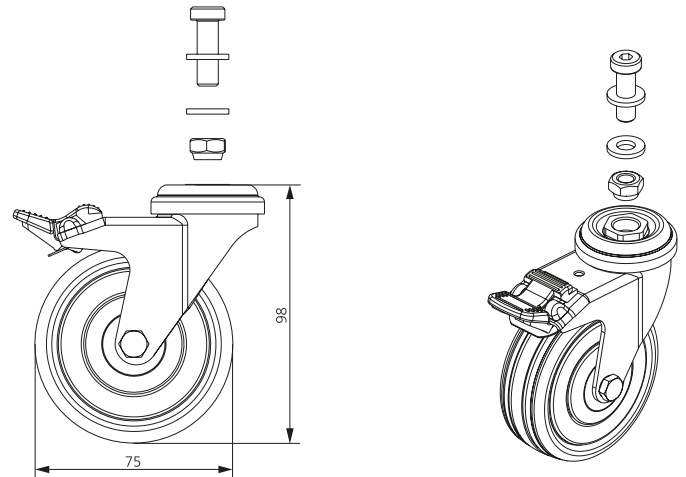
RK Monitor Mounting

Accessories

Lockable swivel castor

Material: galvanized steel

Includes: fixing set for Monitor floor stand adjustable



| Code No. | Weight |
|----------|--------|
| 90503 | 340 g |

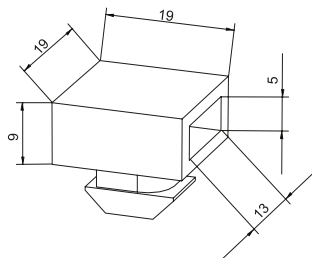
Order instruction:

- Purchase only in lot sizes and a multiple of that, see product table below

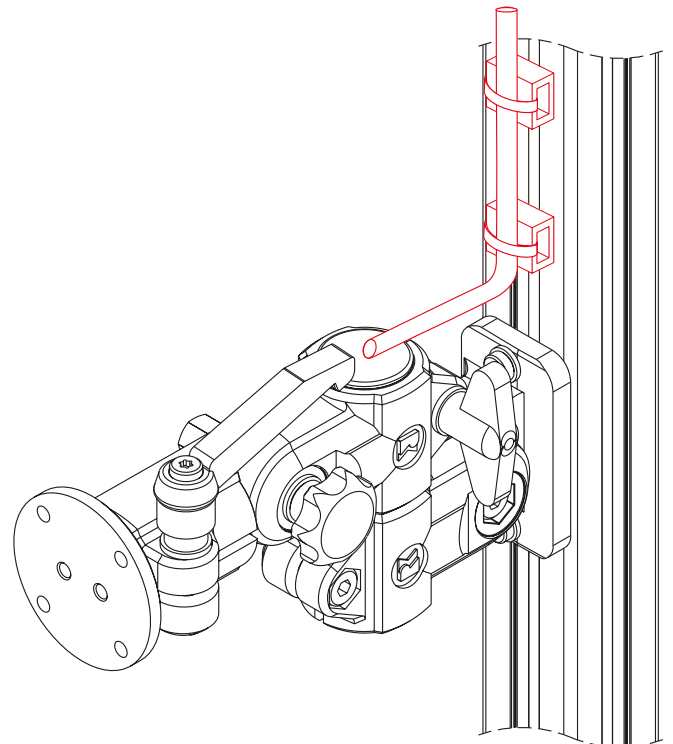
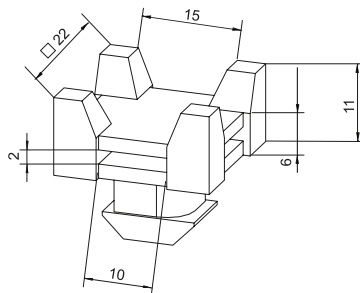
- For fixing cables and hoses
 - It is possible to insert it into the profile slot retrospectively
- Material:** Black plastic

Vario-Quick holding block K/KK

Version K



Version KK



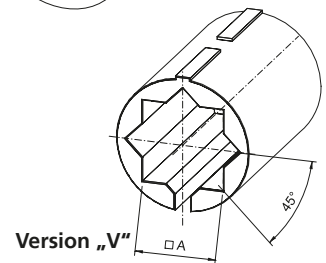
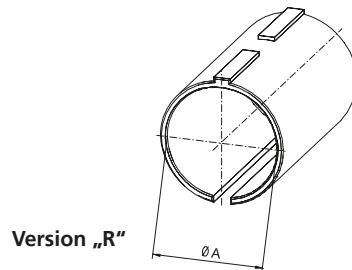
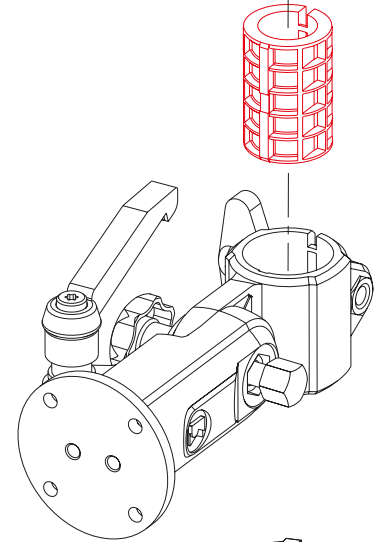
| Code No. | Version | lot sizes | Suitable for |
|----------|------------------|---------------------|-------------------|
| 40181251 | Holding block K | 10, 20, 30... piece | 40 slot geometry* |
| 40181271 | Holding block KK | 10, 20, 30... piece | 40 slot geometry* |



Order instruction:

- Purchase only in lot sizes and a multiple of that, see product table below

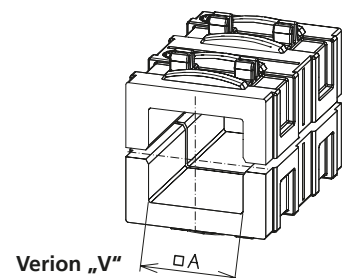
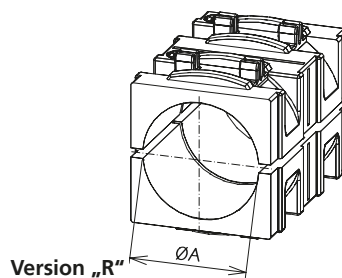
Reducing bushes for monitor mounting



[mm]

| Code No. | Version | lot sizes | A + 0,1 |
|----------|---------|--------------------|---------|
| 96204AC | R20 | 5, 10, 15... piece | 20,25 |
| 96206AC | R25 | 5, 10, 15... piece | 20,25 |
| 96208AC | V20 | 5, 10, 15... piece | 20,25 |

Reducing inserts for monitor mounting



[mm]

| Code No. | Version | lot sizes | A |
|----------|---------|--------------------|-------|
| 963000AC | R20 | 5, 10, 15... piece | 20,25 |
| 963002AC | R25 | 5, 10, 15... piece | 25,25 |
| 963004AC | R30 | 5, 10, 15... piece | 30,25 |
| 963001AC | V20 | 5, 10, 15... piece | 20,25 |
| 963003AC | V25 | 5, 10, 15... piece | 25,25 |

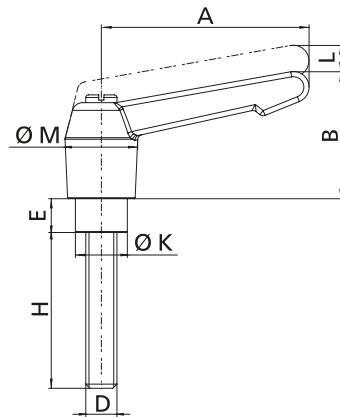
RK Monitor Mounting

Accessories

Clamping lever

- The clamping lever enables the re-adjustment of the clamping element. This can be done by easy exchange of the cylinder screw.
- By lifting the grip, the free movement of the serration toothing enables the clamping lever to wing into the desired position. The grip moves into its original position when released.

Material: Grip made of polyamide black, screws -stainless steel



(Symbolic representation)

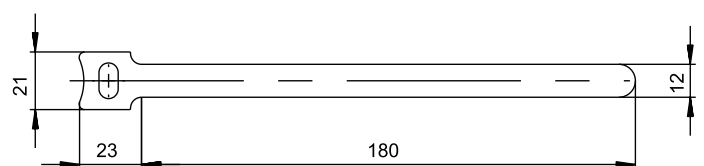
[mm]

| Code No. | Type | A | B | D | E | H | K | L | M |
|----------|-------|----|----|----|----|----|----|---|------|
| 902381 | 20-30 | 65 | 35 | M8 | 14 | 25 | 13 | 4 | 19,5 |

Order instruction:

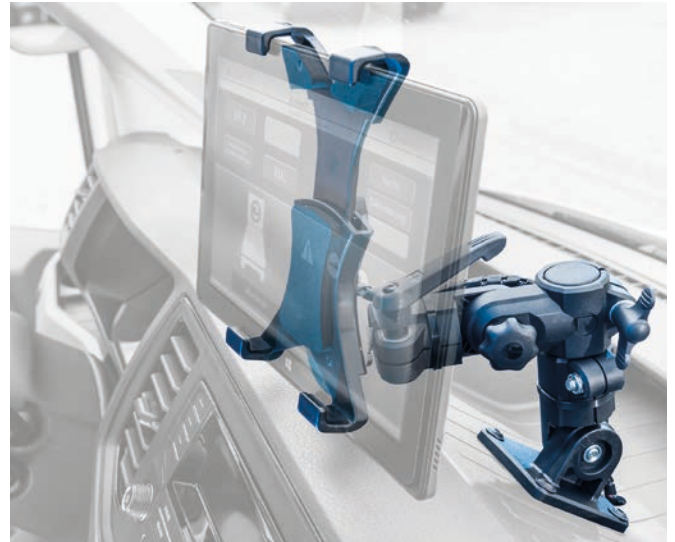
- Purchase only in pack quantities, see catalogue

Cable straps with velcro



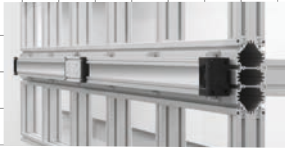
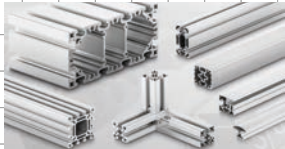
| Code No. | Scale of pack quantities |
|----------|--------------------------|
| 91815 | 5, 10, 15... piece |

Applications



Sketches / Notes

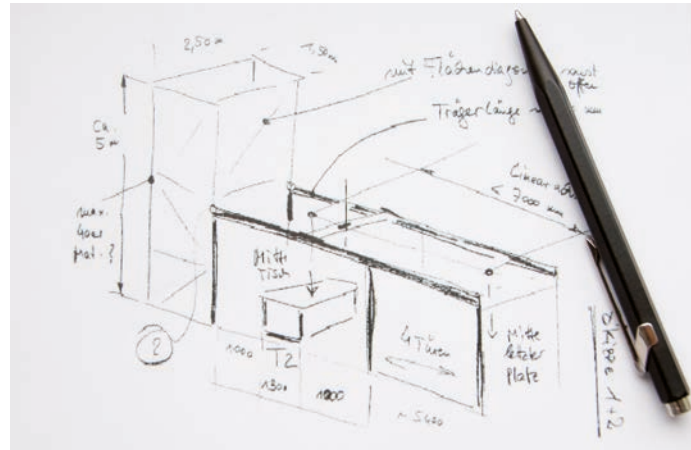
The main area of the page is a large grid for technical sketches and notes. In the bottom-left corner of the grid, there is a small icon consisting of three arrows: one pointing vertically upwards, one pointing horizontally to the right, and one pointing diagonally upwards and to the right, indicating a 3D coordinate system.



What we can do for you

Do you need to focus your resources on other tasks and are you looking for a competent partner you can rely on? Working in close collaboration with you, our specialists will develop solutions tailor-made to meet your needs. If you wish, we can also assemble and commission the units on site.

Just make a sketch of your requirements



Our product specialists will devise a solution for you



We can deliver your turnkey solution or assemble and commission it for you on site





RK ROSE+KRIEGER

A Phoenix Mecano Company

RK Rose+Krieger GmbH
Connecting and positioning systems
Potsdamer Straße 9
32423 Minden, Germany
+49 571 93 35-0
info@rk-online.de
www.rk-rose-krieger.com



Brochure PDF file
to download

EN 1.000 Flyeralarm MAR 10 10 15 0005 08/2020 Printed in Germany